

Department of Engineering  
Tim Bryan, P.E., County Engineer

3137 South Liberty Street, Canton, MS 39046  
Office (601) 790-2525 FAX (601) 859-3430

**MEMORANDUM**

August 25, 2021

To: Sheila Jones, Supervisor, District I  
Trey Baxter, Supervisor, District II  
Gerald Steen, Supervisor, District III  
Karl Banks, Supervisor, District IV  
Paul Griffin, Supervisor, District V

From: Tim Bryan, P.E., PTOE  
County Engineer

Re: AT&T Mississippi Utility Permit  
County Road Name, Old Canton Road to Harbor Road

The Engineering Department recommends approval of permit application for AT&T Mississippi to process placement of fiber cable by directional bore to the following roads listed below.

- Trace Harbor Road
- Twin Harbor Road
- Traceview Road
- Harbor Road
- Summit Road

SHEILA JONES  
District One

TREY BAXTER  
District Two

GERALD STEEN  
District Three

KARL BANKS  
District Four

PAUL GRIFFIN  
District Five

Revised: 2/14/2019



**PERMIT APPLICATION FOR THE CONSTRUCTION OR ADJUSTMENT  
OF A UTILITY WITHIN COUNTY ROAD RIGHT-OF-WAY**

Utility Information: Utility Name: AT&T Mississippi

Address: 301 Catalpa St, 4th floor City/State/Zip: Monroe, LA 71201

Contact Person: Carol Parker cp7001@att.com Contact's Phone: 318-348-7499

Project Information: County Road Name: see DRAWINGS JOB 24J00009N A02328G

(If located within more than one road right-of-way, use Appendix 1 for additional descriptions)

Beginning Location: 153 Old Rice Rd Ending Location: Harbor Rd

Length of Project: 1955' Section: 1 Township: 7N Range: 2E

Description of Work: Placement of fiber cable by directional bore

dwgs 2-5, 18

Check Box if Appendix 1 is to be included as a part of this Application

Whereas the above stated Utility makes application to the **Madison County Board of Supervisors** for a Construction Permit. Attached hereto are drawings and plans for the construction of the above facilities located within Madison County owned public rights-of-way. Once stamped by the Madison County Engineering Department, these plans shall not be changed or altered without written approval of the County Engineer, or his representative. A copy of the approved permit and plans shall be on-site at all times during construction.

The Applicant Utility shall comply with all policies, procedures and construction practices as outlined in *A Policy for The Accommodation of Utility Facilities within the Right-of-Way of all Public County Roads* (hereinafter referred to as the "Policy"), as adopted on November 1, 2005, by the **Madison County Board of Supervisors**, and which is hereby made a part of this Application Agreement.

If facilities are to be located within the Rights-of-Way of the County-Federal or State Aid System, Applicant Utility also agrees to comply with applicable provisions of *S.O.P. No. SA II-2-8, Accommodation of Utilities on Rights-of-Way*, issued by the State Aid Engineer and dated July 1, 2005.

The Applicant Utility understands and agrees that, except as herein granted, no right, title, claim, or easement to said road right-of-way is granted by the issuance of this permit. If this Utility is listed in the general provisions of the Policy, it will be adjusted to comply with same without cost to the County, unless the variance from the Policy has been approved by the granting of the Permit pursuant to this Application.

The Applicant Utility further understands that the Utility's engineering, plant, or other personnel will be responsible for the staking and construction supervision of the work set out above and as shown on the attached plans. If work impacts traffic in any way, the appropriate traffic control shall be installed per the *Manual of Uniform Traffic Control Devices*, Latest Edition.

The Applicant Utility understands that the County Engineer, or his representative, may issue a Stop Work Order at any time if it is deemed that site conditions are not suitable for construction or if any of the requirements of this permit are not being met.

Many County Roads have variable Rights-of-Way and/or no Right-of-Way at all and are maintained under a Prescriptive Easement. It is the sole responsibility of the Applicant Utility to verify the existence and limits of public rights-of-way. If none exists, it is the

responsibility of the Applicant Utility to acquire an easement for their Facilities from the applicable property owner(s). Madison County in no way verifies the limits of Right-of-Way as shown on the permit application.

The Applicant Utility shall be responsible for all future maintenance and repair of the facilities installed under this permit. The Applicant Utility shall make future adjustments to, or relocate, the facilities located within road or highway right-of-way when required for road or highway widening or other road or highway construction at no cost to Madison County. The Applicant Utility shall relocate said utilities within sixty (60) days of notification by County by registered mail, return receipt requested, unless otherwise designated by the County Engineer. Further, any maintenance, repair, or construction shall be done in such a manner as to occasion no unreasonable interference with the normal flow and safety to traffic and at the expense of the utility company. When reasonable care has been taken to locate said utility facilities within the right-of-way, the Applicant Utility understands that any damages caused by routine maintenance and construction by County forces shall be borne by the Applicant Utility.

The Applicant Utility further agrees to indemnify and hold Madison County harmless for any and all claims, accidents, damages, liabilities and expenses occasioned wholly, or in part, by any act or omission of applicant, its agents or employees. In case County shall, without fault on its own part, be made a party to any litigation commenced by or against applicant, then applicant shall protect and hold County harmless, and shall pay all costs, expenses and reasonable attorney's fees incurred or paid by County in connection with said litigation.

All underground facilities shall be installed at a depth equal to or greater than 48" below the lowest adjacent grade.

All pipes carrying liquid shall be encased under County maintained roads.

WITNESS the signature of the Applicant this the 25 day of August, 2021.

By: Carol Parker  
(Applicant Signature)

Title: MGR OSP PLNG & ENGRG DESIGN

**Note:** *Applicant must be an employee of the Utility named in this application. The Madison County Board of Supervisors will not recognize a Contractor, Subcontractor, Agent, or Consulting Engineer as the Applicant. Utility Company shall be fully responsible for all work performed under this application.*

I, or my authorized representative, have reviewed this application and determined that the drawing, sketches, and plans submitted by the Applicant meet the requirements of *A Policy for The Accommodation of Utility Facilities within the Right-of-Way of all Public County Roads.*

**APPROVED**

By By timothy.bryan at 11:18 am, Sep 01, 2021

Tim Bryan, P.E.  
County Engineer

AGREED TO AND APPROVED BY:

\_\_\_\_\_  
Madison County Board President

Date: \_\_\_\_\_

ENTERED INTO THE MINUTES OF THE BOARD OF SUPERVISORS OF MADISON COUNTY, MISSISSIPPI ON THIS

\_\_\_\_\_ DAY OF \_\_\_\_\_, 20\_\_\_\_\_.

## Appendix 1

County Road Name: Trace Harbor Rd

Beginning Location: Old Rice Rd Ending Location: end of Trace Harbor Rd

Length of Project: 3316' Section: 1, 12 Township: 7N Range: 2E

Description of Work: Placement of fiber cable by directional bore

dwgs 2,26-36

County Road Name: Twin Harbor Rd

Beginning Location: Summit Dr Ending Location: end of Twin Harbor Rd

Length of Project: 2183' Section: 1, 12 Township: 7N Range: 2E

Description of Work: Placement of fiber cable by directional bore

dwgs 7-12

County Road Name: Traceview Rd

Beginning Location: Old Rice Rd Ending Location: Twin Harbor Pl

Length of Project: 1507' Section: 1 Township: 7N Range: 2E

Description of Work: Placement of fiber cable by directional bore

dwg 5-6, 14-17

County Road Name: Harbor Rd

Beginning Location: Old Rice Rd Ending Location: Trace Harbor Rd

Length of Project: 1730' Section: 1 Township: 7N Range: 2E

Description of Work: Placement of fiber cable by directional bore

dwgs 18-23

County Road Name: Summit Dr

Beginning Location: Tracview Rd Ending Location: Trace Harbor Rd

Length of Project: 816' Section: 1 Township: 7N Range: 2E

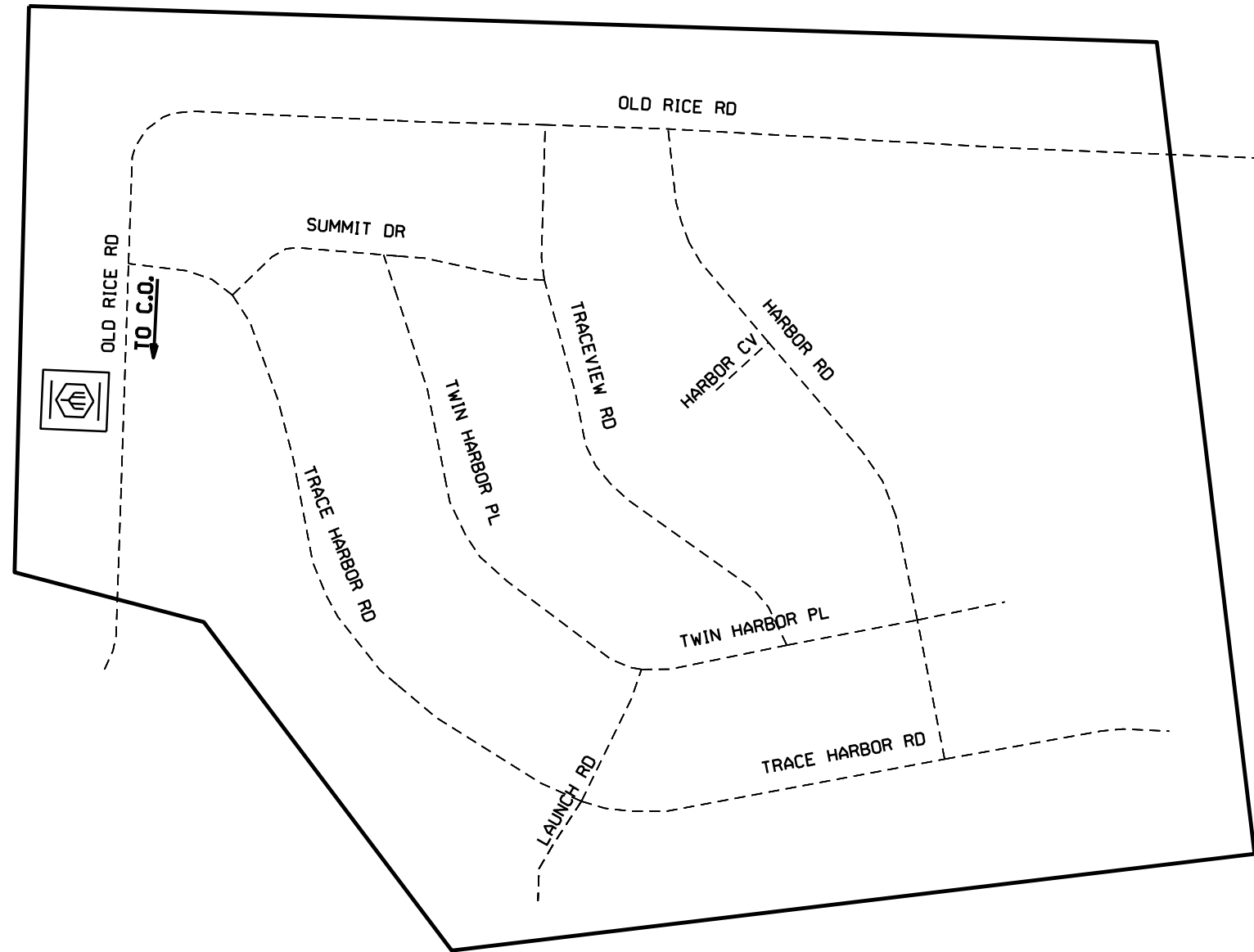
Description of Work: Placement of fiber cable by directional bore

dwg 6-7, 13

# Area Map



BURIED SYMBOL LEGEND		
Proposed	Existing	Description
		BURIED CABLE
		BUR JOINT-TRENCH
		ENCLOSURE
		ENCLOSURE
		MANHOLE
		PIPE/CONDUIT
		CABLE MARKER
		BURIED SVC WIRE
		JOINT-TRENCH SVC
	N/A	BORE
	N/A	CUT PAVEMENT
	N/A	SPLICING PIT
	N/A	TRENCH LENGTH/DEPTH



**CYIENT**

ATTSE

PROPOSED TELEPHONE FACILITIES  
ON RIGHT OF WAY OF  
MADISON COUNTY

Exchange: 601856

Designer: Darrin Phillips

Phone: 318-233-0497

Authorization: 24J00009N

Dwg. 1 of 36

CALL BEFORE YOU DIG

DIAL 811

TWO FULL BUS. DAYS BEFORE YOU DIG

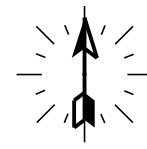
IT IS THE CONTRACTOR'S RESPONSIBILITY TO CONTACT UTILITY COMPANIES PRIOR TO ANY CONSTRUCTION AS THE LOCATION OF UTILITIES SHOWN ON THIS PLAN ARE APPROXIMATE AND POSSIBLY INCOMPLETE. THEREFORE CERTIFICATION TO THE LOCATION OF ALL UNDERGROUND UTILITIES IS WITHHELD.

BURIED POWER

**CAUTION**

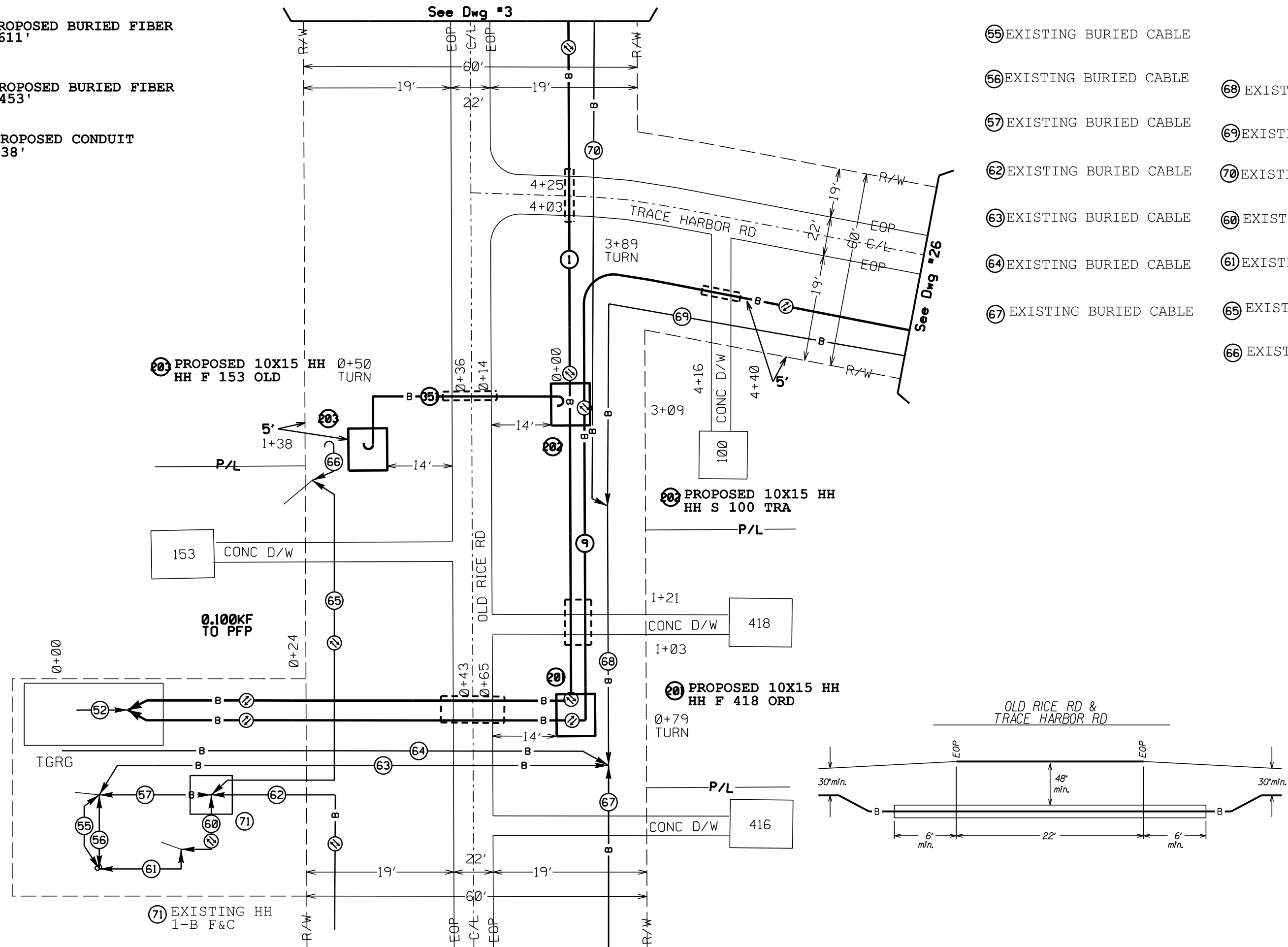
Volts to Ground

301V to 15KV



- ① PROPOSED BURIED FIBER  
1611'
- ⑨ PROPOSED BURIED FIBER  
1453'
- ③⑤ PROPOSED CONDUIT  
138'

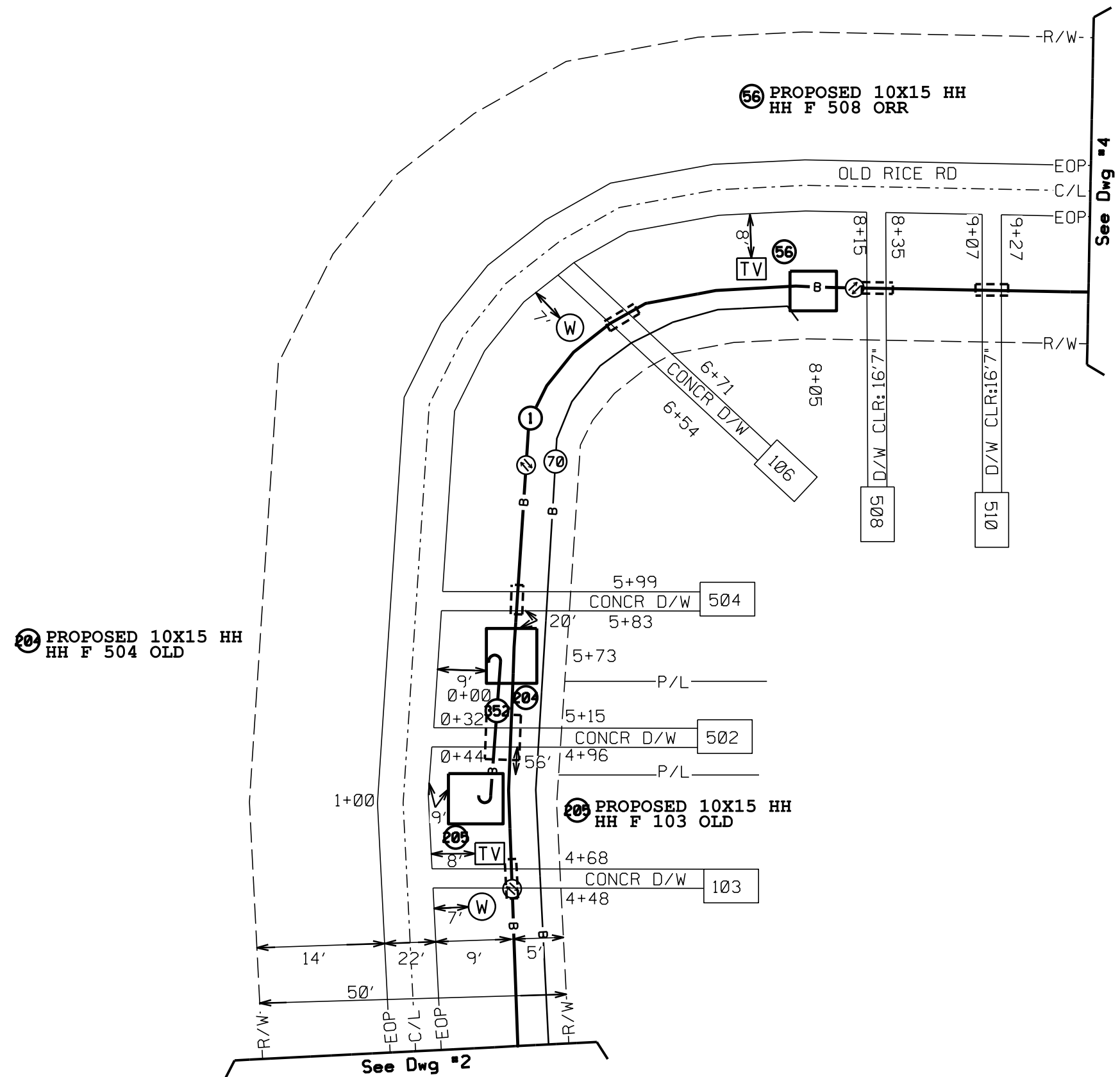
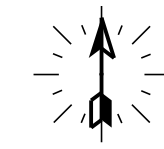
- ⑤② EXISTING BURIED CABLE
- ⑤⑤ EXISTING BURIED CABLE
- ⑤⑥ EXISTING BURIED CABLE
- ⑤⑦ EXISTING BURIED CABLE
- ⑥② EXISTING BURIED CABLE
- ⑥③ EXISTING BURIED CABLE
- ⑥④ EXISTING BURIED CABLE
- ⑥⑦ EXISTING BURIED CABLE
- ⑥⑧ EXISTING BURIED CABLE
- ⑥⑨ EXISTING BURIED CABLE
- ⑦⑦ EXISTING BURIED CABLE
- ⑦⑩ EXISTING BURIED CABLE
- ⑦⑩ EXISTING BURIED CABLE
- ⑦① EXISTING BURIED CABLE
- ⑦⑤ EXISTING BURIED CABLE
- ⑦⑥ EXISTING BURIED CABLE



**BURIED POWER**  
**CAUTION**  
Volts to Ground  
**301V to 15KV**

**ATTSE**  
PROPOSED TELEPHONE FACILITIES  
ON RIGHT OF WAY OF  
MADISON COUNTY

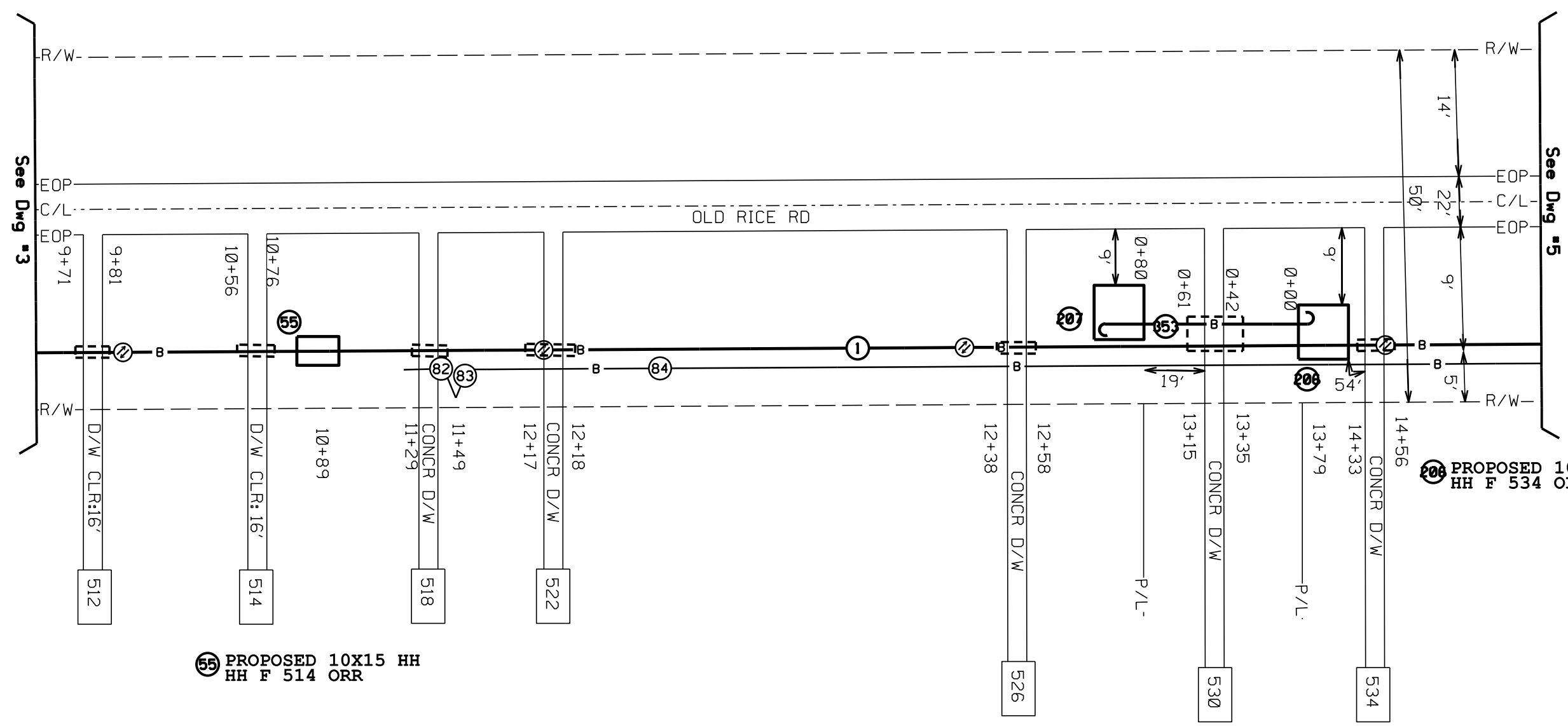
Exchange: **601856**  
Designer: **Darrin Phillips**  
Phone: **318-233-0497**  
Authorization: **24J00009N**  
Dwg. 2 of 36



**BURIED POWER**  
**CAUTION**  
Volts to Ground  
301V to 15KV

**ATTSE**  
PROPOSED TELEPHONE FACILITIES  
ON RIGHT OF WAY OF  
MADISON COUNTY

Exchange:	601856
Designer:	Darrin Phillips
Phone:	318-233-0497
Authorization:	24J00009N
Dwg. <u>  3  </u> of <u>  36  </u>	



- ① PROPOSED BURIED FIBER  
1611'
- ⑤⑤ PROPOSED CONDUIT  
80'
- ⑧② EXISTING BURIED CABLE
- ⑧③ EXISTING BURIED CABLE
- ⑧④ EXISTING BURIED CABLE

⑤⑤ PROPOSED 10X15 HH  
HH F 514 ORR

②⑦ PROPOSED 10X15 HH  
HH F 526 OLD

②⑥ PROPOSED 10X15 HH  
HH F 534 OLD

**BURIED POWER**

**CAUTION**

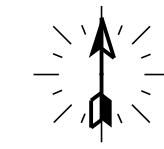
Volts to Ground  
**301V to 15KV**

**ATTSE**

PROPOSED TELEPHONE FACILITIES  
ON RIGHT OF WAY OF  
MADISON COUNTY

Exchange:	601856
Designer:	Darrin Phillips
Phone:	318-233-0497
Authorization:	24J00009N
Dwg. <u>  4  </u> of <u>  36  </u>	





① PROPOSED BURIED FIBER  
1611'

② PROPOSED BURIED FIBER  
1474'

⑥ PROPOSED BURIED FIBER  
1577'

⑧④ EXISTING BURIED CABLE

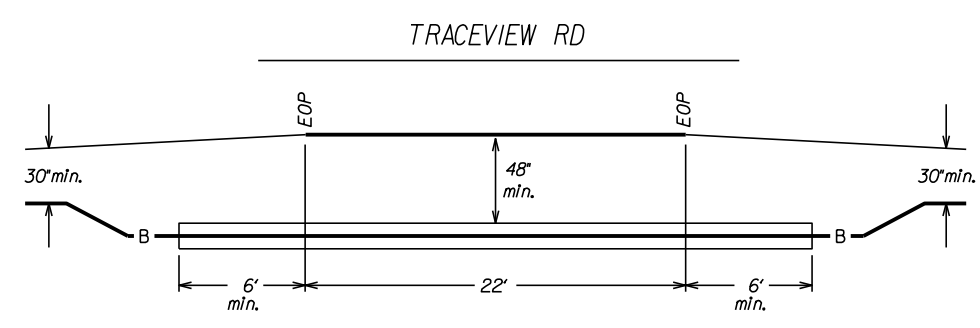
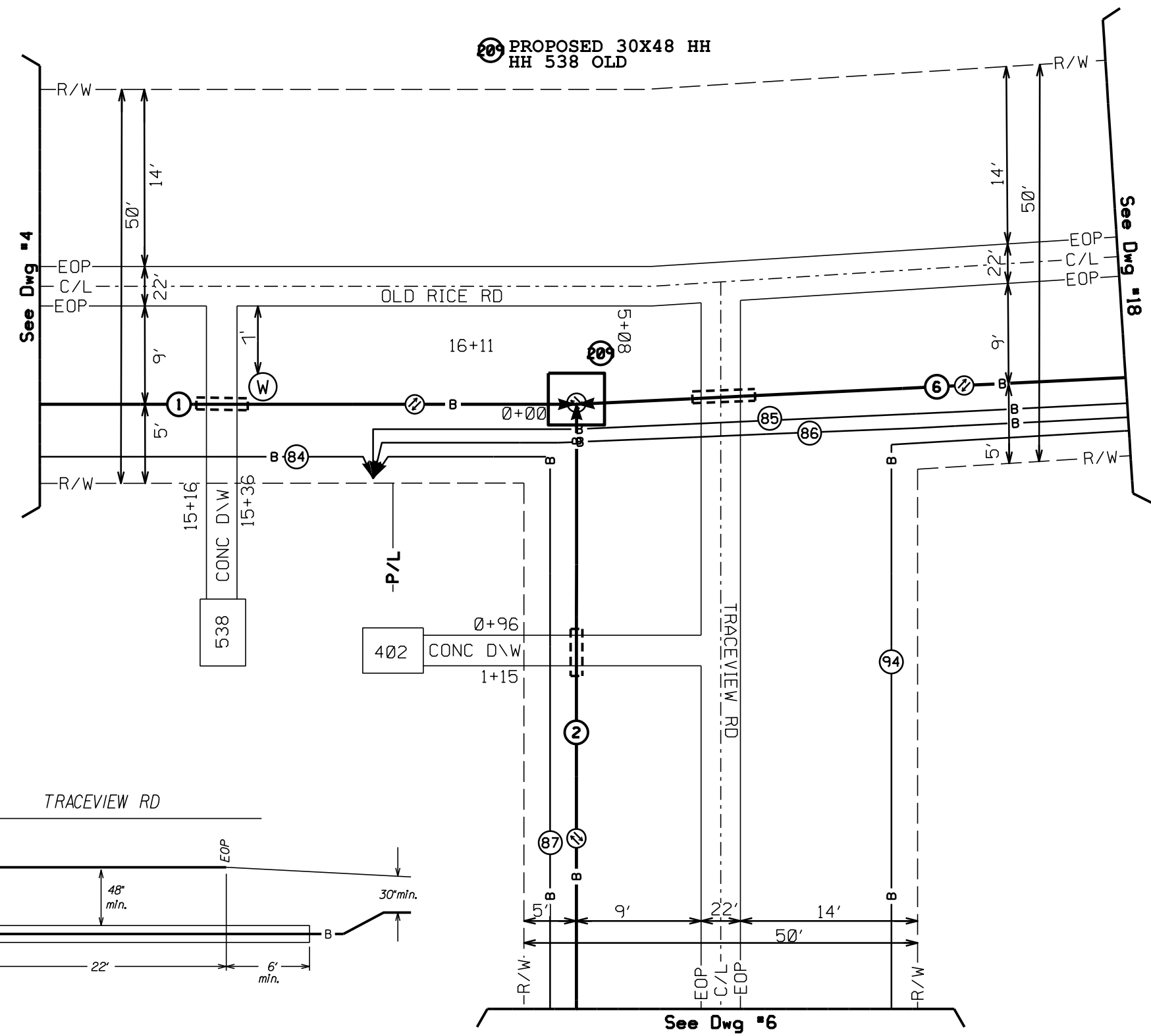
⑧⑤ EXISTING BURIED CABLE

⑧⑥ EXISTING BURIED CABLE

⑧⑦ EXISTING BURIED CABLE

⑨④ EXISTING BURIED CABLE

②① PROPOSED 30X48 HH  
HH 538 OLD



BURIED POWER

**CAUTION**

Volts to Ground  
301V to 15KV

ATTSE

PROPOSED TELEPHONE FACILITIES  
ON RIGHT OF WAY OF  
MADISON COUNTY

Exchange: 601856

Designer: Darrin Phillips

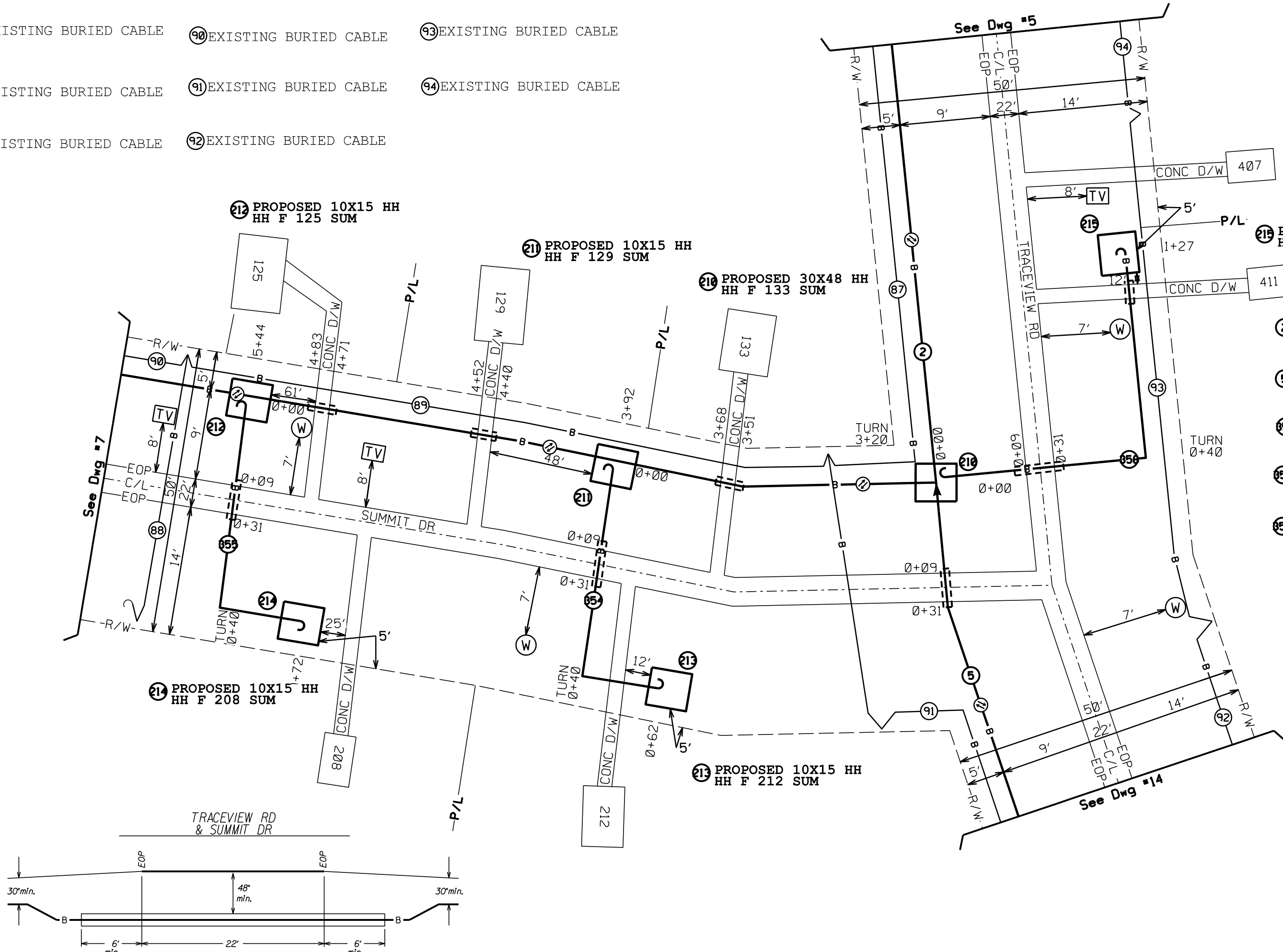
Phone: 318-233-0497

Authorization: 24J00009N

Dwg. 5 of 36



- 87 EXISTING BURIED CABLE      90 EXISTING BURIED CABLE      93 EXISTING BURIED CABLE
- 88 EXISTING BURIED CABLE      91 EXISTING BURIED CABLE      94 EXISTING BURIED CABLE
- 89 EXISTING BURIED CABLE      92 EXISTING BURIED CABLE



212 PROPOSED 10X15 HH  
HH F 125 SUM

211 PROPOSED 10X15 HH  
HH F 129 SUM

210 PROPOSED 30X48 HH  
HH F 133 SUM

215 PROPOSED 10X15 HH  
HH F 411 SUM

214 PROPOSED 10X15 HH  
HH F 208 SUM

213 PROPOSED 10X15 HH  
HH F 212 SUM

2 PROPOSED BURIED FIBER  
1474'

5 PROPOSED BURIED FIBER  
1089'

55 PROPOSED CONDUIT  
127'

56 PROPOSED CONDUIT  
62'

57 PROPOSED CONDUIT  
72'

**BURIED POWER**

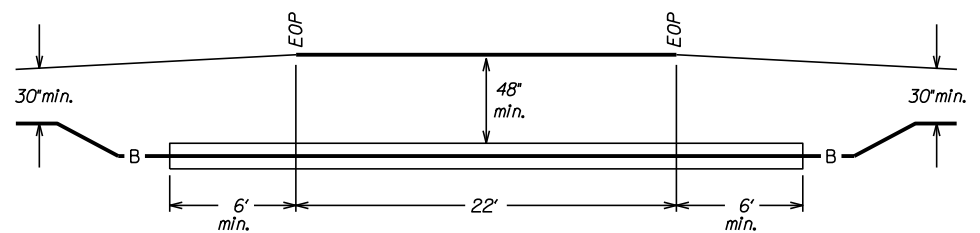
**CAUTION**

Volts to Ground  
**301V to 15KV**

**ATTSE**

PROPOSED TELEPHONE FACILITIES  
ON RIGHT OF WAY OF  
MADISON COUNTY

Exchange:	601856
Designer:	Darrin Phillips
Phone:	318-233-0497
Authorization:	24J00009N
Dwg. <u>  6  </u> of <u>  36  </u>	





90 EXISTING BURIED CABLE

95 EXISTING BURIED CABLE

96 EXISTING BURIED CABLE

98 EXISTING BURIED CABLE

2 PROPOSED BURIED FIBER 1474'

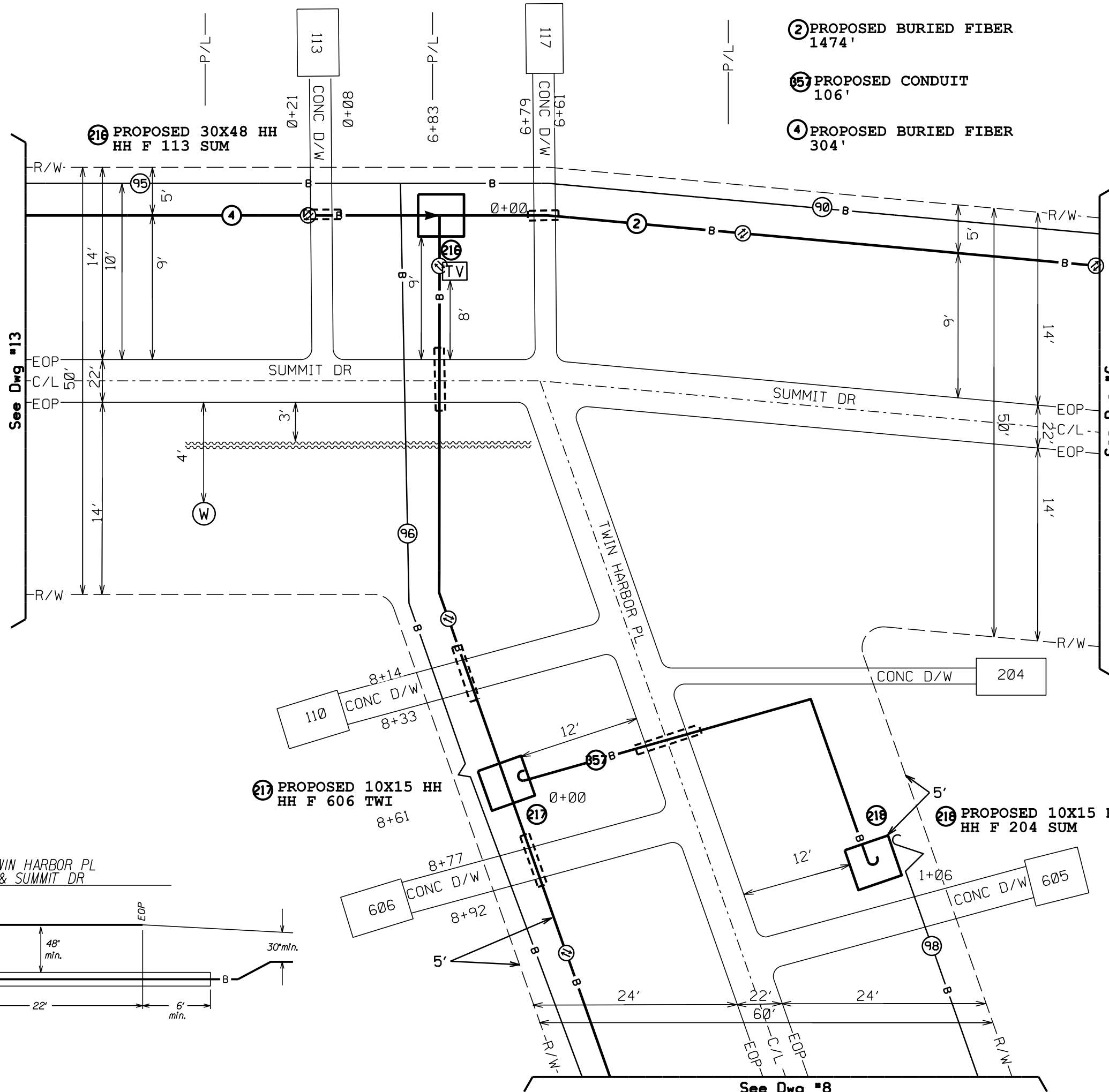
57 PROPOSED CONDUIT 106'

4 PROPOSED BURIED FIBER 304'

216 PROPOSED 30X48 HH HH F 113 SUM

217 PROPOSED 10X15 HH HH F 606 TWI 8+61

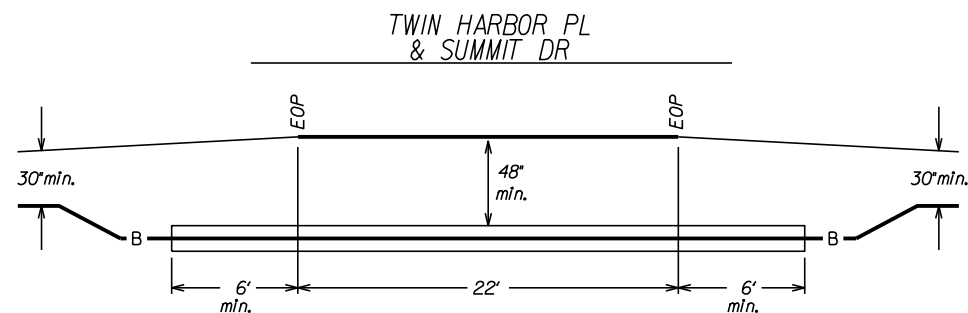
218 PROPOSED 10X15 HH HH F 204 SUM



See Dwg #13

See Dwg #6

See Dwg #8



BURIED POWER

**CAUTION**

Volts to Ground  
301V to 15KV

ATTSE

PROPOSED TELEPHONE FACILITIES  
ON RIGHT OF WAY OF  
MADISON COUNTY

Exchange:

601856

Designer:

Darrin Phillips

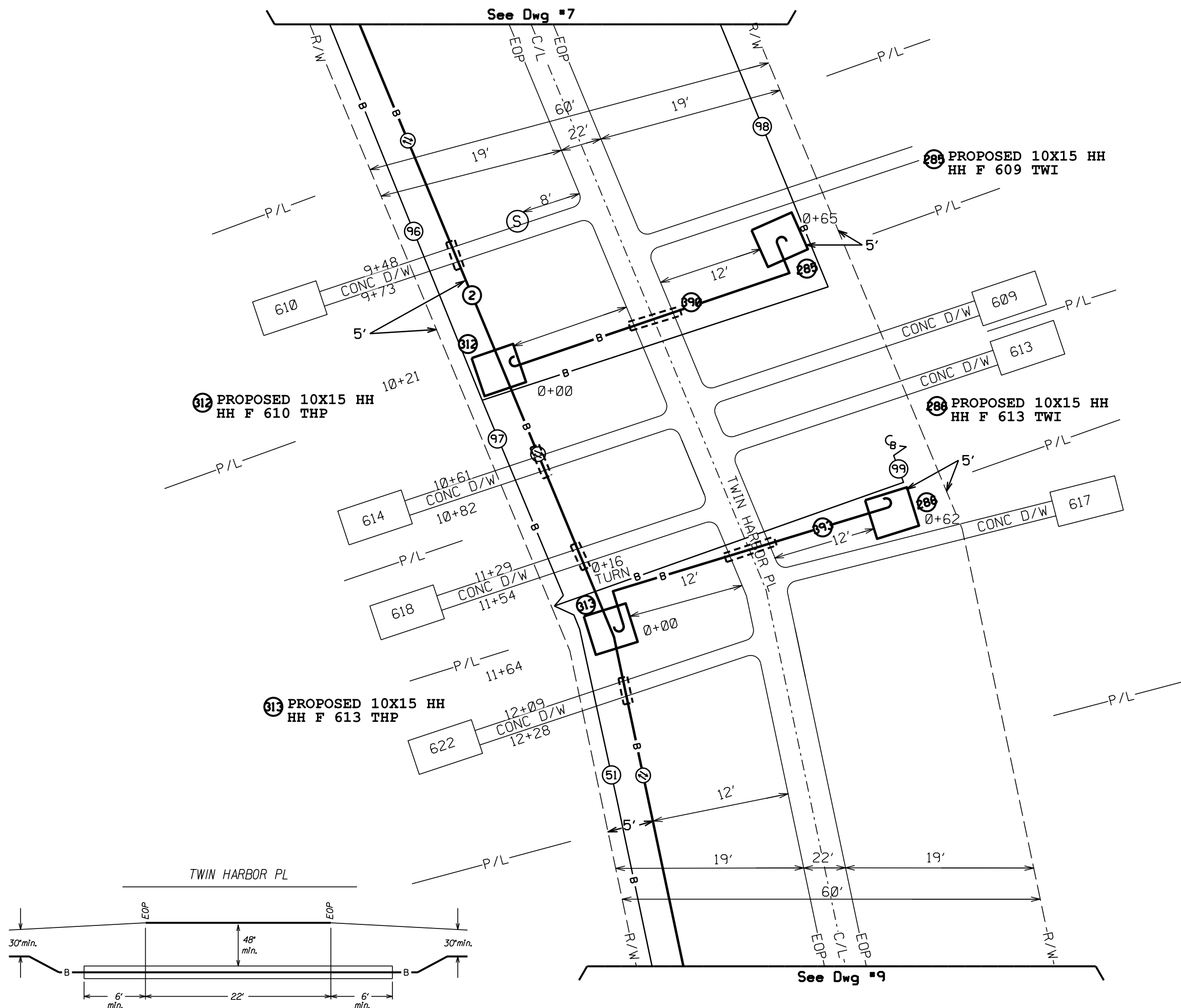
Phone:

318-233-0497

Authorization:

24J00009N

Dwg. 7 of 36



①② PROPOSED 10X15 HH  
HH F 610 THP

①③ PROPOSED 10X15 HH  
HH F 613 THP

②⑧ PROPOSED 10X15 HH  
HH F 609 TWI

②⑧ PROPOSED 10X15 HH  
HH F 613 TWI

② PROPOSED BURIED FIBER  
1474'

⑨⑥ PROPOSED CONDUIT  
65'

⑨⑦ PROPOSED CONDUIT  
62'

⑤① EXISTING BURIED CABLE

⑨⑥ EXISTING BURIED CABLE

⑨⑦ EXISTING BURIED CABLE

⑨⑧ EXISTING BURIED CABLE

⑨⑨ EXISTING BURIED CABLE

**BURIED POWER**

**CAUTION**

Volts to Ground  
301V to 15KV

**ATTSE**

PROPOSED TELEPHONE FACILITIES  
ON RIGHT OF WAY OF  
MADISON COUNTY

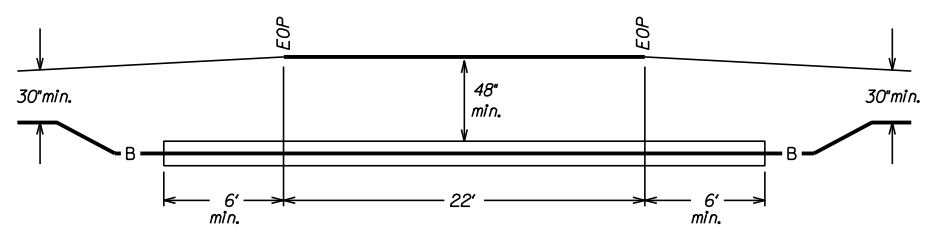
Exchange:  
601856

Designer:  
Darrin Phillips

Phone:  
318-233-0497

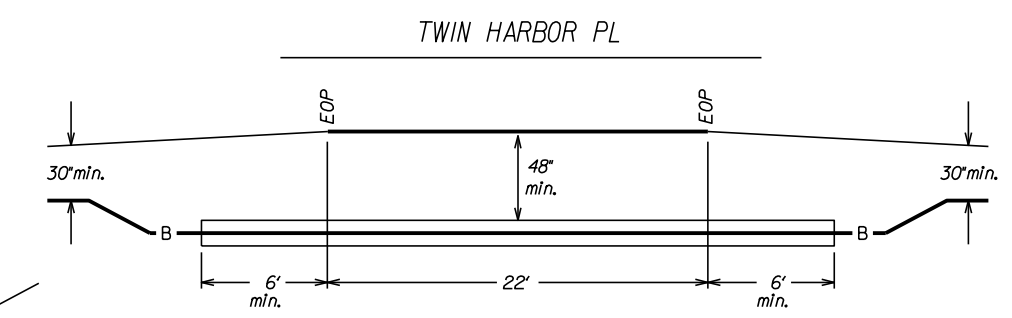
Authorization:  
24J00009N

Dwg. 8 of 36





- ② PROPOSED BURIED FIBER 1474'
- ③ PROPOSED BURIED FIBER 1019'
- ③⑨ PROPOSED CONDUIT 64'
- ③⑨ PROPOSED CONDUIT 46'
- ⑤④ EXISTING BURIED CABLE
- ⑤① EXISTING BURIED CABLE
- ⑤② EXISTING BURIED CABLE
- ⑤③ EXISTING BURIED CABLE



**BURIED POWER**

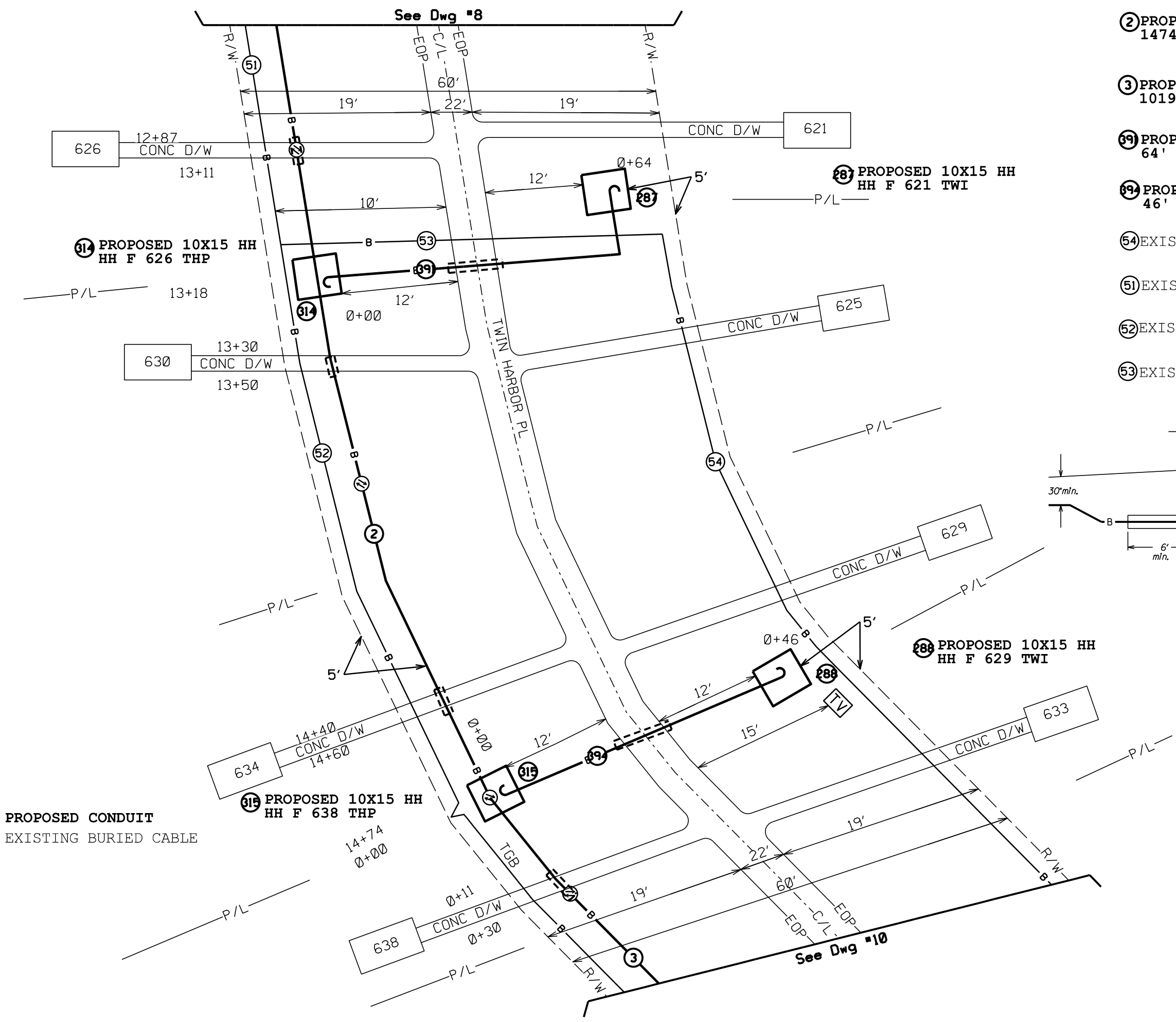
**CAUTION**

Volts to Ground  
301V to 15KV

**ATTSE**

PROPOSED TELEPHONE FACILITIES  
ON RIGHT OF WAY OF  
MADISON COUNTY

Exchange:	601856
Designer:	Darrin Phillips
Phone:	318-233-0497
Authorization:	24J00009N
Dwg. <u>  9  </u> of <u> 36 </u>	



PROPOSED CONDUIT  
EXISTING BURIED CABLE

③⑨ PROPOSED 10X15 HH  
HH F 638 THP

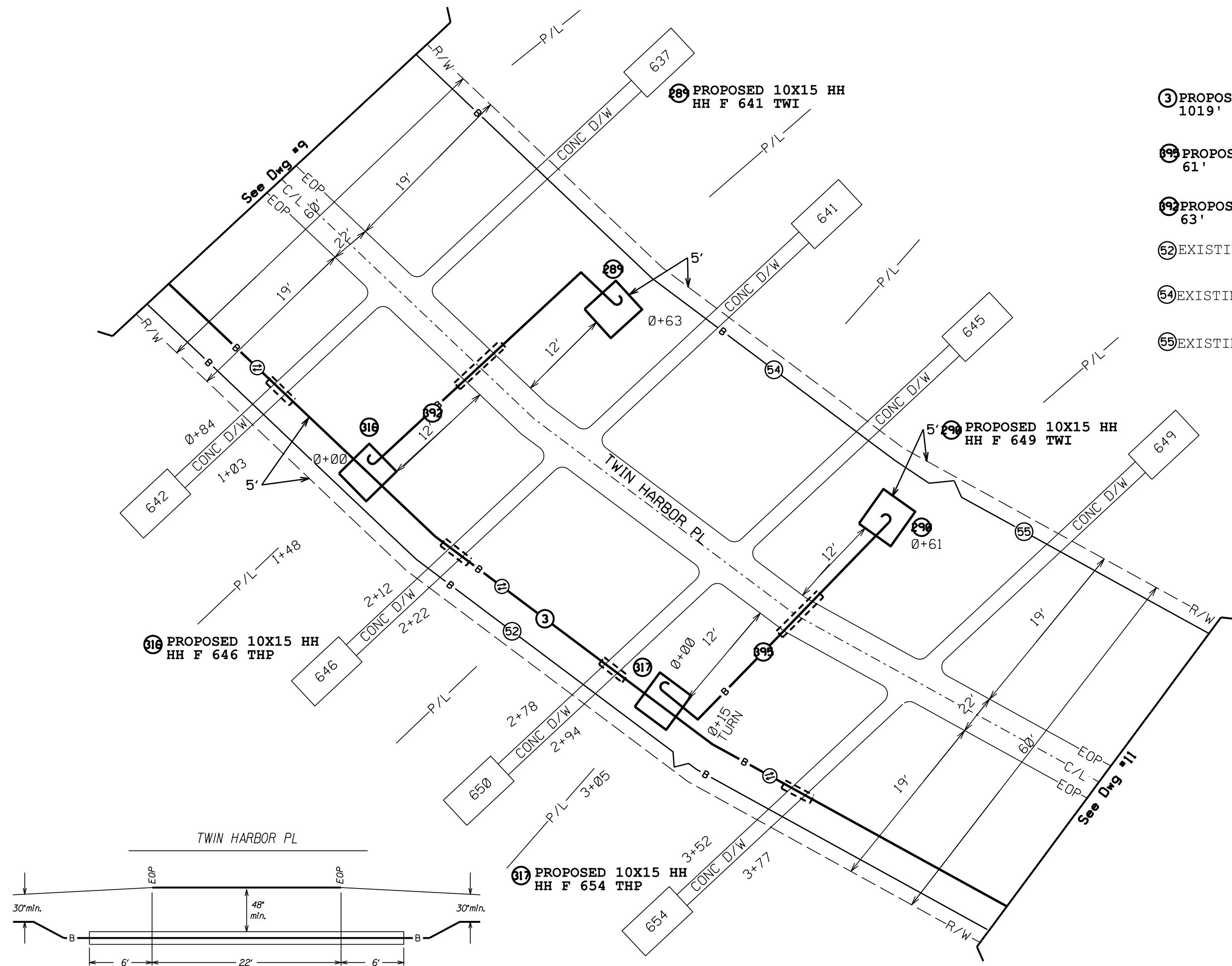
③⑨ PROPOSED 10X15 HH  
HH F 629 TWI

③⑨ PROPOSED 10X15 HH  
HH F 626 THP

③⑨ PROPOSED 10X15 HH  
HH F 621 TWI

See Dwg #8

See Dwg #10



- ③ PROPOSED BURIED FIBER 1019'
- ③② PROPOSED CONDUIT 61'
- ③② PROPOSED CONDUIT 63'
- ⑤② EXISTING BURIED CABLE
- ⑤④ EXISTING BURIED CABLE
- ⑤⑤ EXISTING BURIED CABLE

**BURIED POWER**

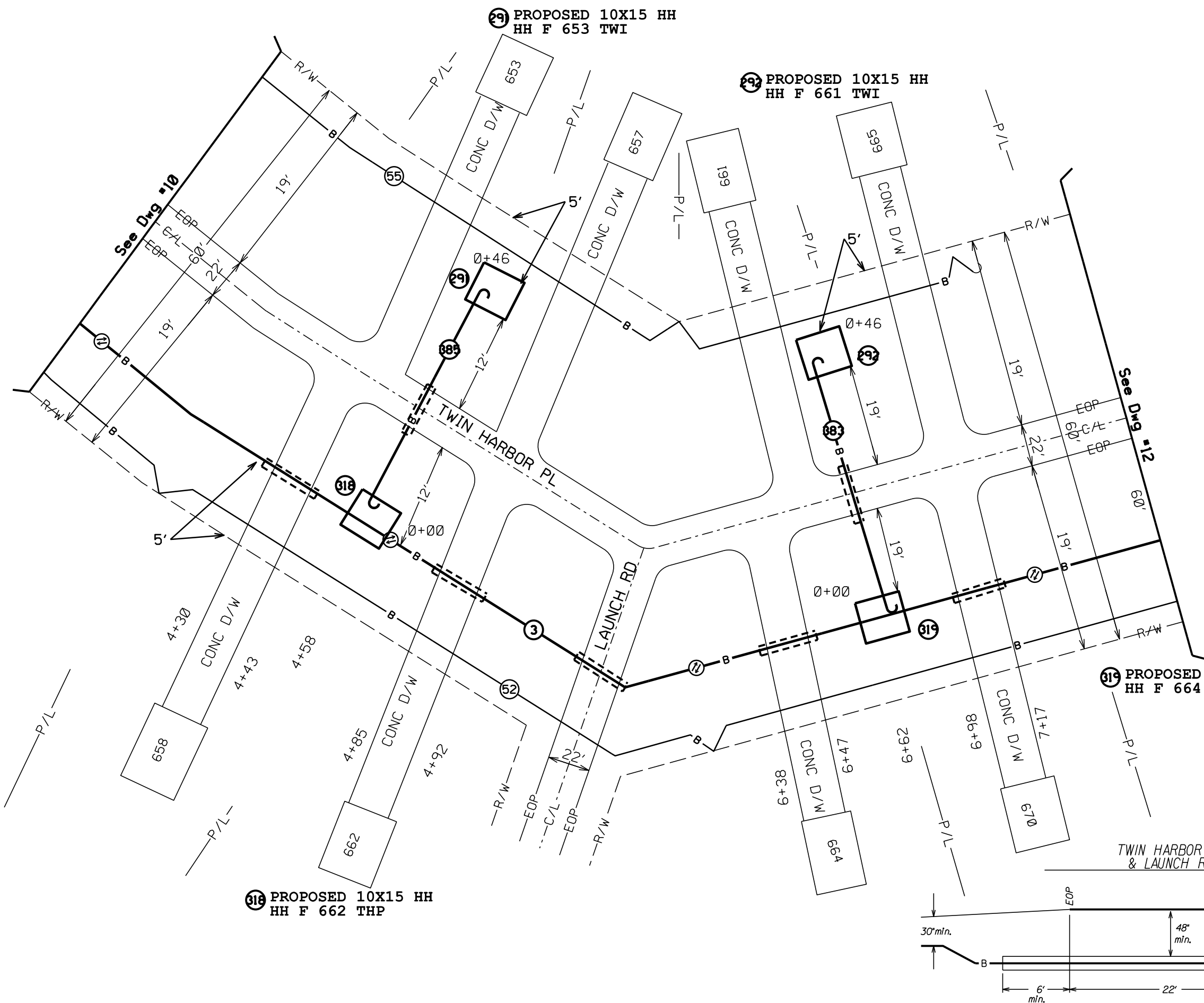
***CAUTION***

Volts to Ground  
**301V to 15KV**

**ATTSE**

PROPOSED TELEPHONE FACILITIES  
ON RIGHT OF WAY OF  
MADISON COUNTY

Exchange:	601856
Designer:	Darrin Phillips
Phone:	318-233-0497
Authorization:	24J00009N
Dwg. <u>10</u> of <u>36</u>	

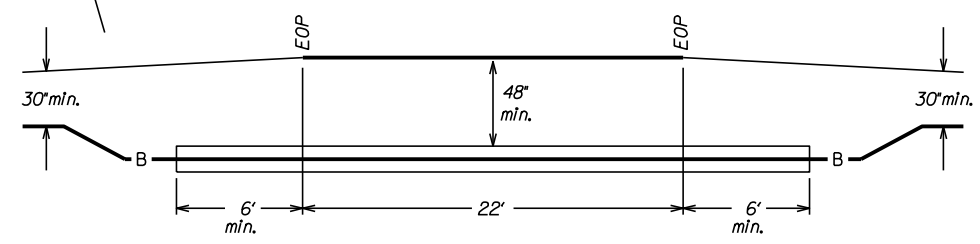


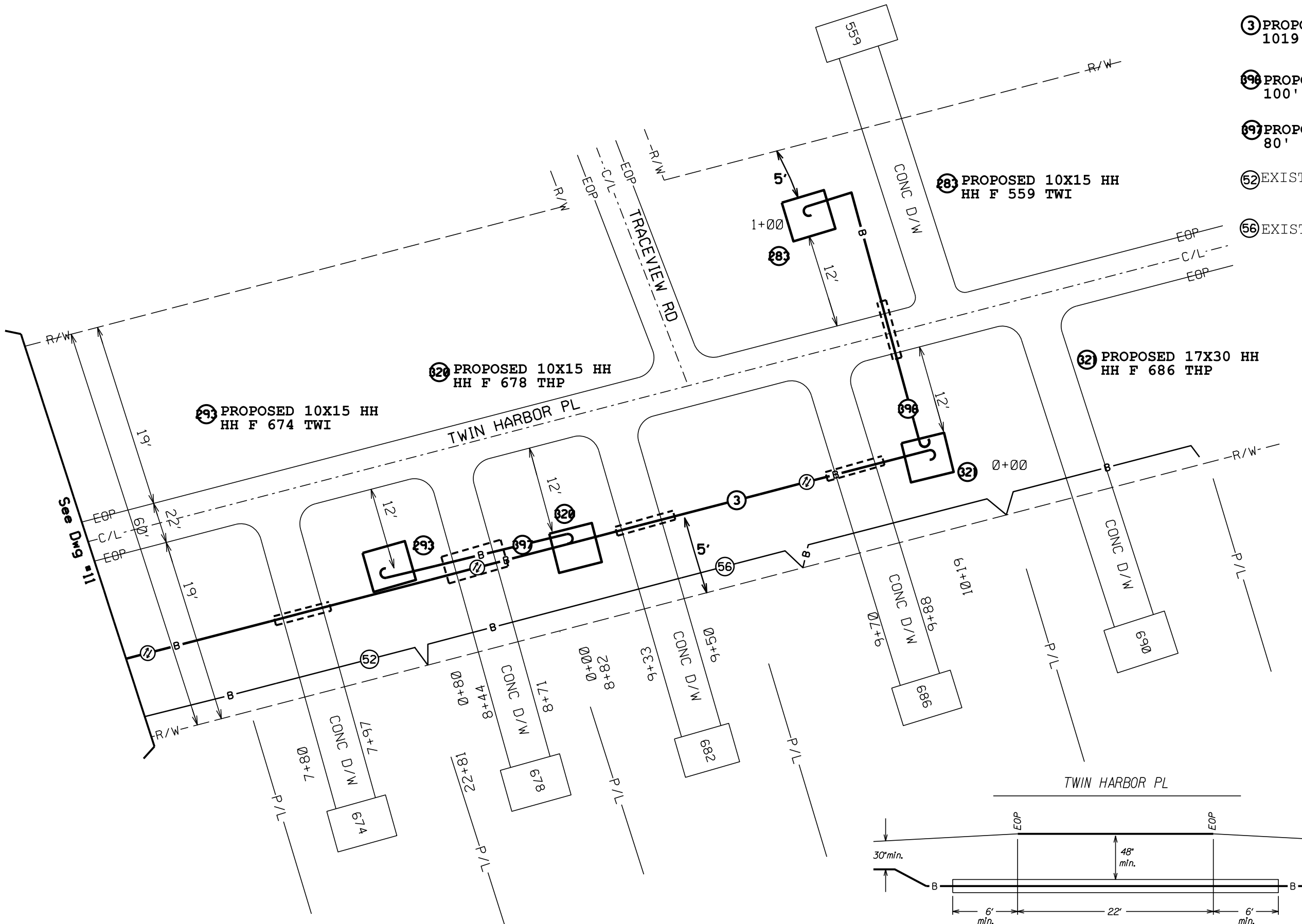
- ③ PROPOSED BURIED FIBER  
1019'
- ③⑧ PROPOSED CONDUIT  
46'
- ③⑧ PROPOSED CONDUIT  
46'
- ⑤② EXISTING BURIED CABLE
- ⑤⑤ EXISTING BURIED CABLE

**BURIED POWER**  
**CAUTION**  
Volts to Ground  
**301V to 15KV**

**ATTSE**  
PROPOSED TELEPHONE FACILITIES  
ON RIGHT OF WAY OF  
MADISON COUNTY

Exchange:	601856
Designer:	Darrin Phillips
Phone:	318-233-0497
Authorization:	24J00009N
Dwg. <u>  11  </u> of <u>  36  </u>	

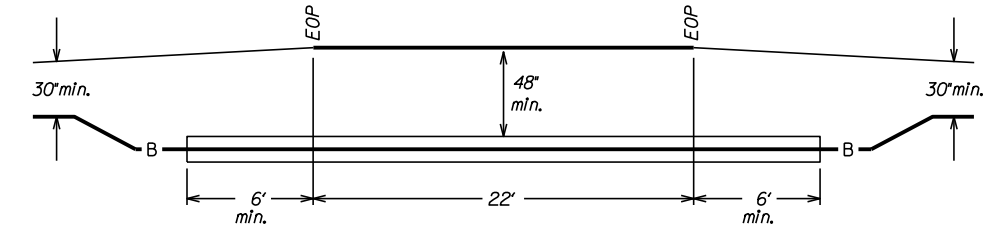




**BURIED POWER**  
**CAUTION**  
Volts to Ground  
301V to 15KV

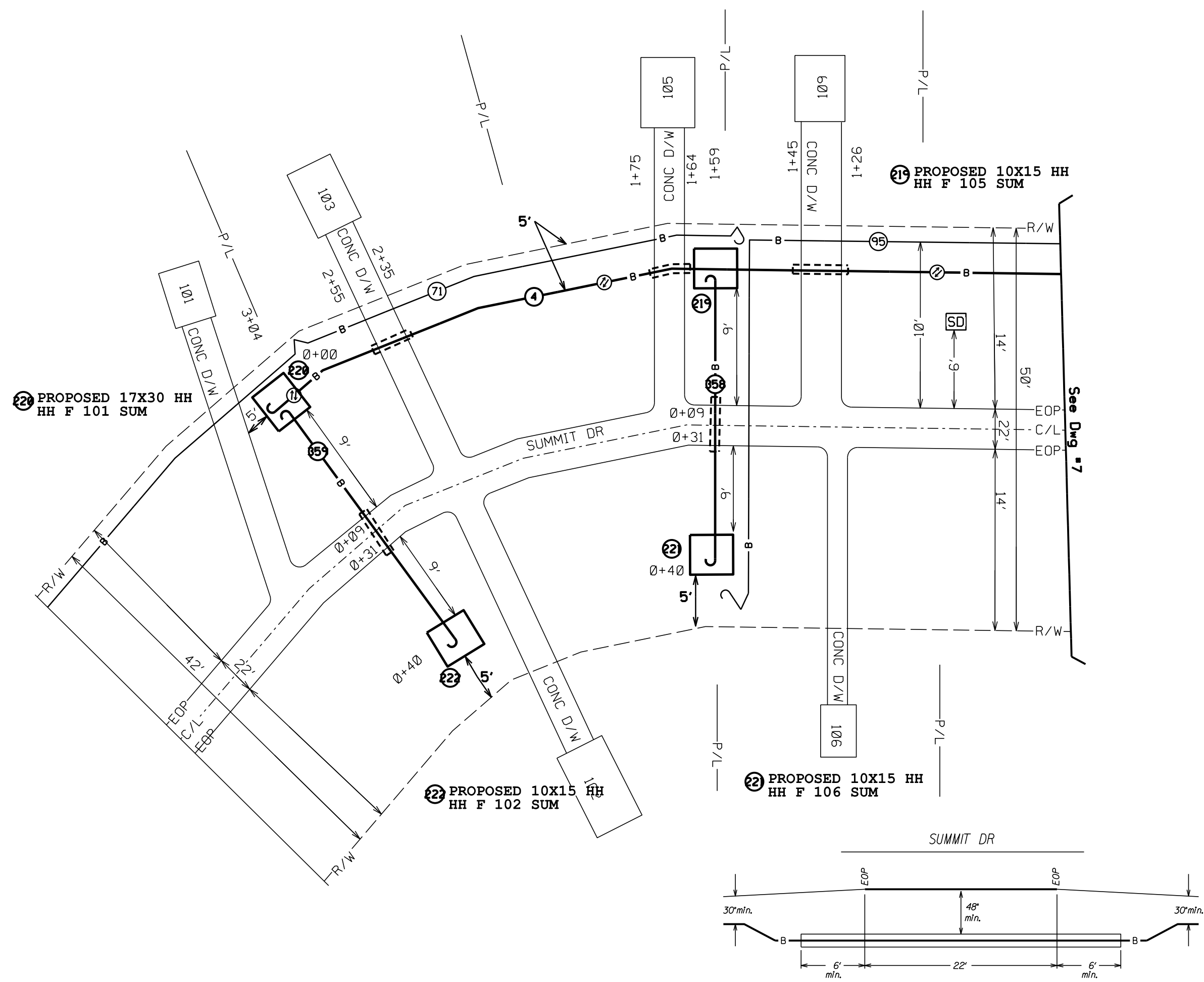
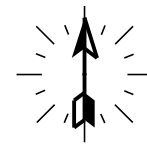
**ATTSE**  
PROPOSED TELEPHONE FACILITIES  
ON RIGHT OF WAY OF  
MADISON COUNTY

Exchange:	601856
Designer:	Darrin Phillips
Phone:	318-233-0497
Authorization:	24J00009N
Dwg. <u>12</u> of <u>36</u>	



See Dwg #11





- ④ PROPOSED BURIED FIBER  
304'
- ⑥⑤ PROPOSED CONDUIT  
40'
- ⑥⑤ PROPOSED CONDUIT  
40'
- ⑦① EXISTING BURIED CABLE
- ⑨⑤ EXISTING BURIED CABLE

②① PROPOSED 17X30 HH  
HH F 101 SUM

②② PROPOSED 10X15 HH  
HH F 102 SUM

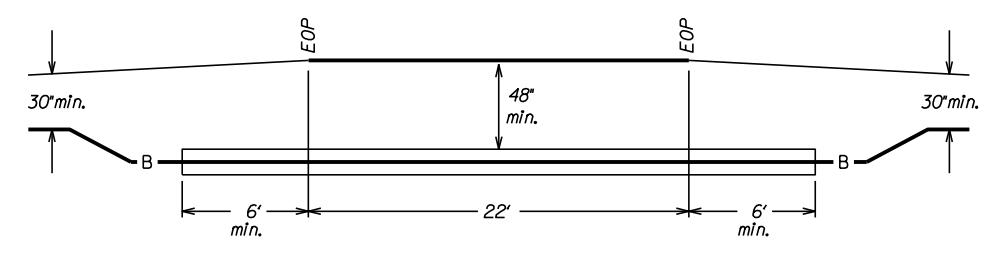
②② PROPOSED 10X15 HH  
HH F 106 SUM

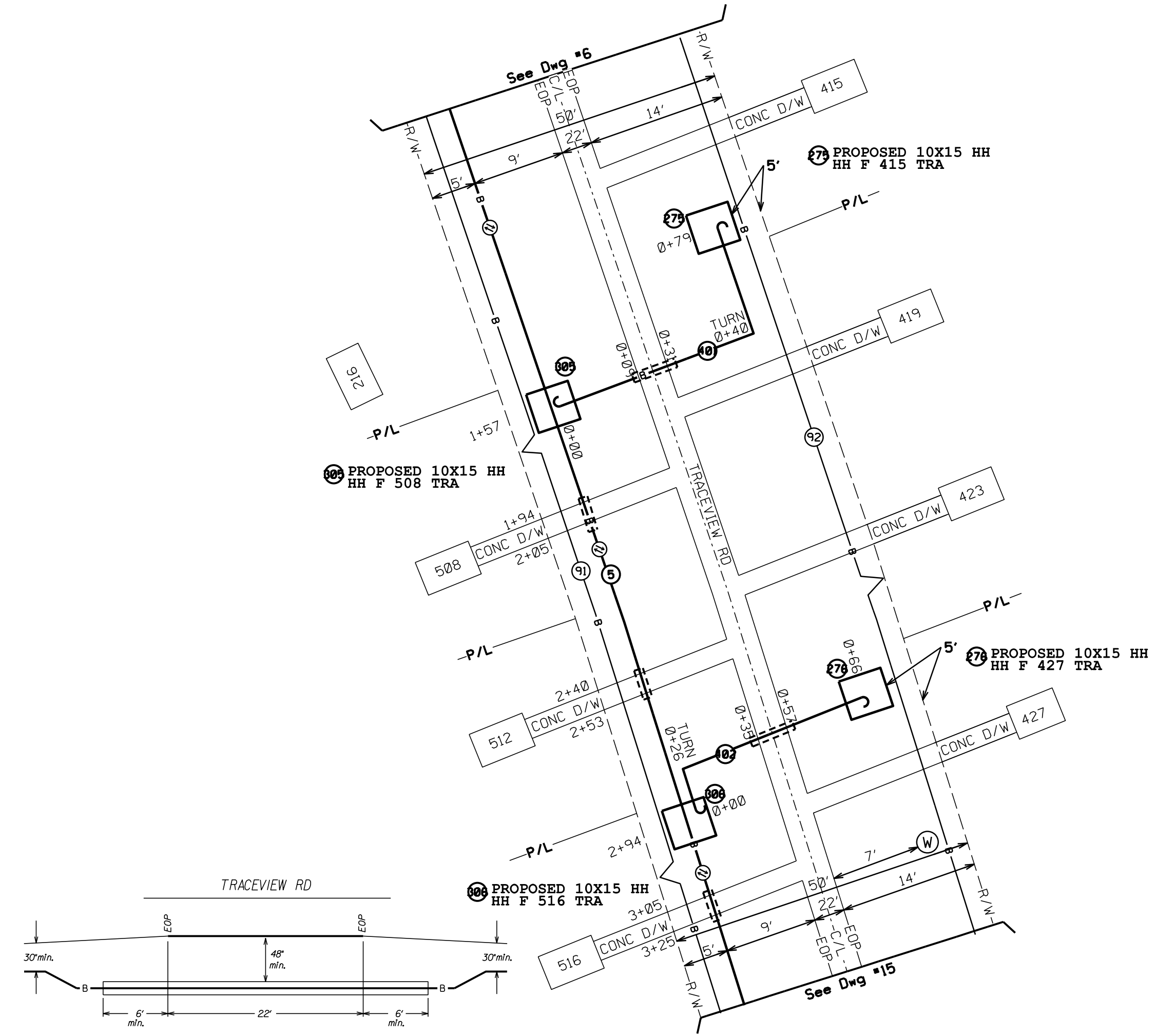
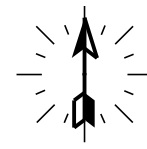
②① PROPOSED 10X15 HH  
HH F 105 SUM

**BURIED POWER**  
**CAUTION**  
Volts to Ground  
**301V to 15KV**

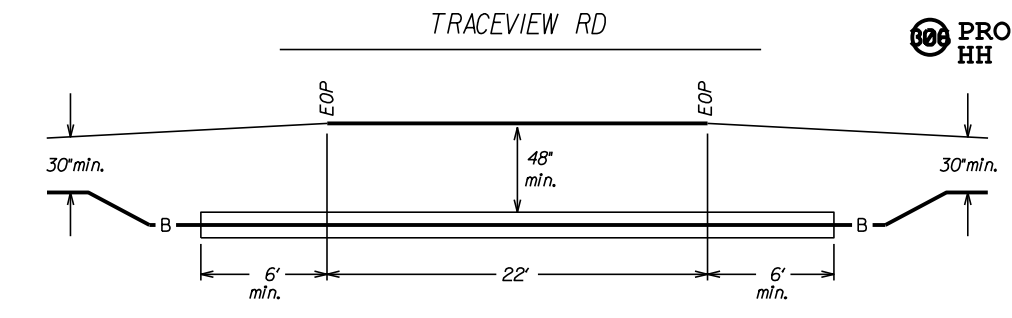
**ATTSE**  
PROPOSED TELEPHONE FACILITIES  
ON RIGHT OF WAY OF  
MADISON COUNTY

Exchange: 601856  
Designer: Darrin Phillips  
Phone: 318-233-0497  
Authorization: 24J00009N  
Dwg. 13 of 36





- ⑤ PROPOSED BURIED FIBER  
1089'
- ⑩② PROPOSED CONDUIT  
66'
- ⑩③ PROPOSED CONDUIT  
79'
- ⑨① EXISTING BURIED CABLE
- ⑨② EXISTING BURIED CABLE



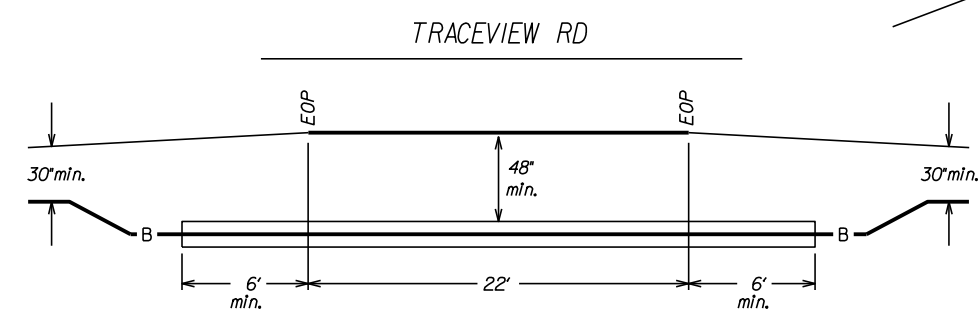
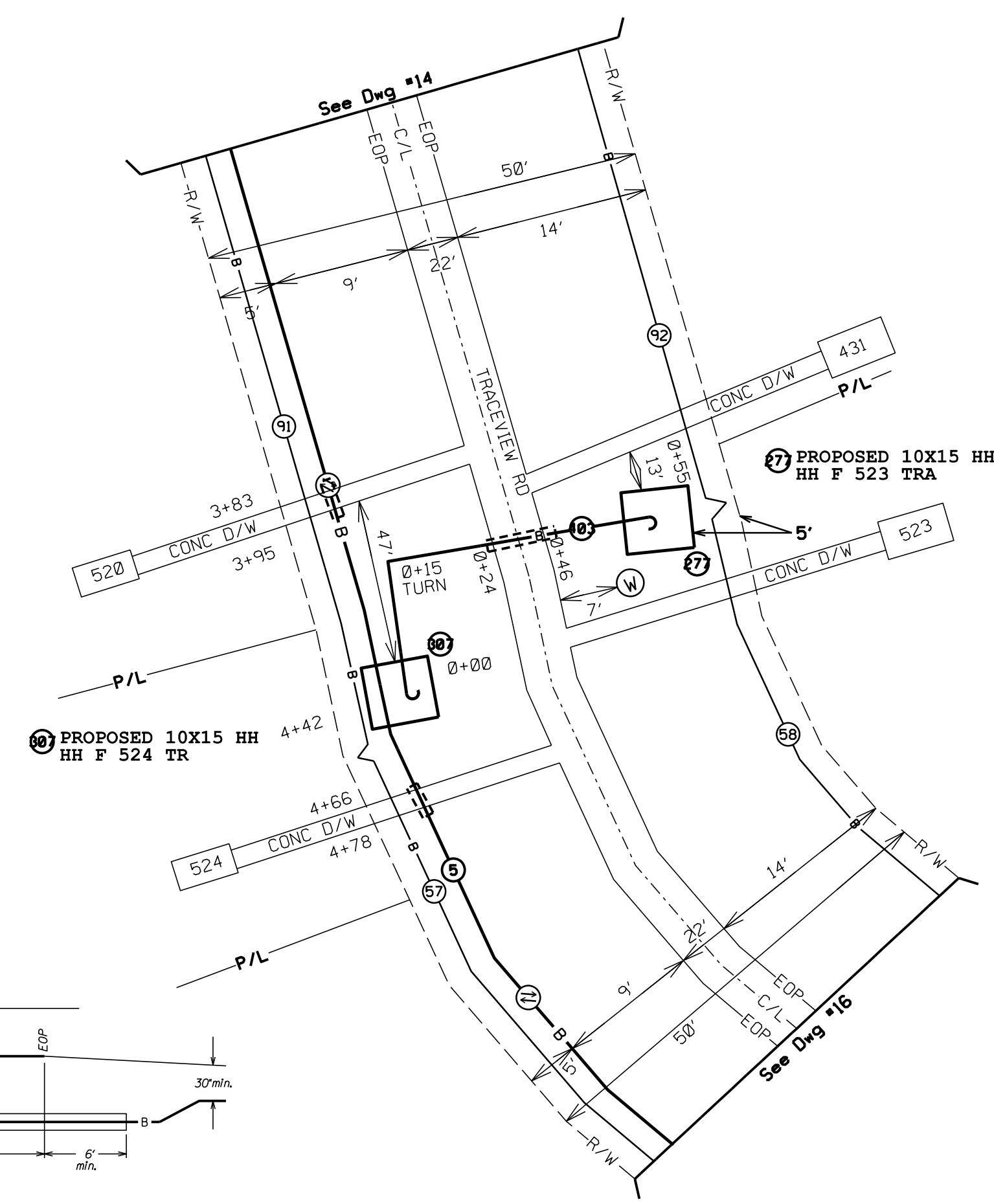
**BURIED POWER**  
**CAUTION**  
Volts to Ground  
**301V to 15KV**

**ATTSE**  
PROPOSED TELEPHONE FACILITIES  
ON RIGHT OF WAY OF  
MADISON COUNTY

Exchange:	601856
Designer:	Darrin Phillips
Phone:	318-233-0497
Authorization:	24J00009N
Dwg. <u>14</u> of <u>36</u>	



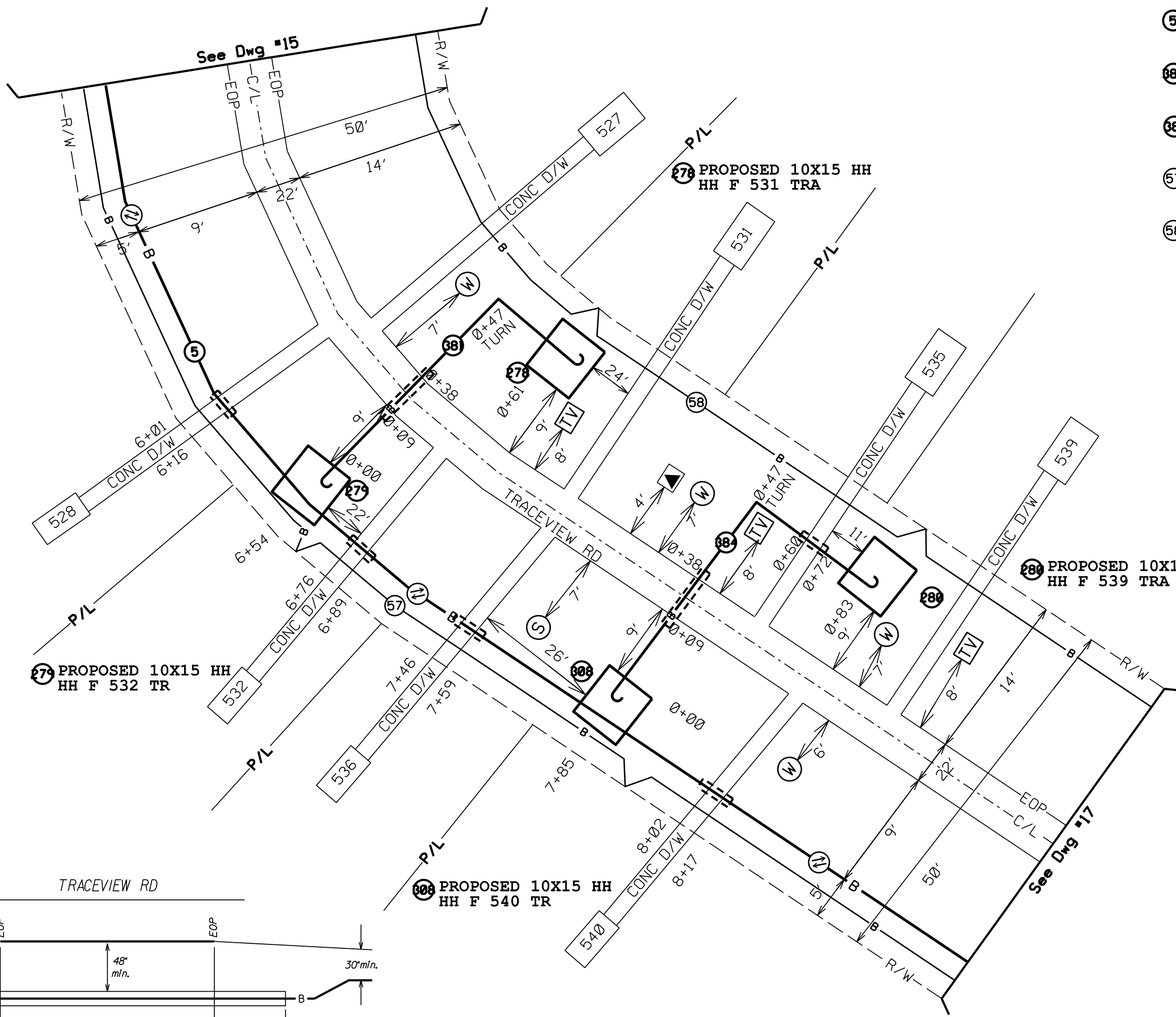
- ⑤ PROPOSED BURIED FIBER  
1089'
- ⑩ PROPOSED CONDUIT  
55'
- ⑤⑦ EXISTING BURIED CABLE
- ⑤⑧ EXISTING BURIED CABLE
- ⑨① EXISTING BURIED CABLE
- ⑨② EXISTING BURIED CABLE



**BURIED POWER**  
**CAUTION**  
Volts to Ground  
**301V to 15KV**

**ATTSE**  
PROPOSED TELEPHONE FACILITIES  
ON RIGHT OF WAY OF  
MADISON COUNTY

Exchange:	601856
Designer:	Darrin Phillips
Phone:	318-233-0497
Authorization:	24J00009N
Dwg. <u>15</u> of <u>36</u>	

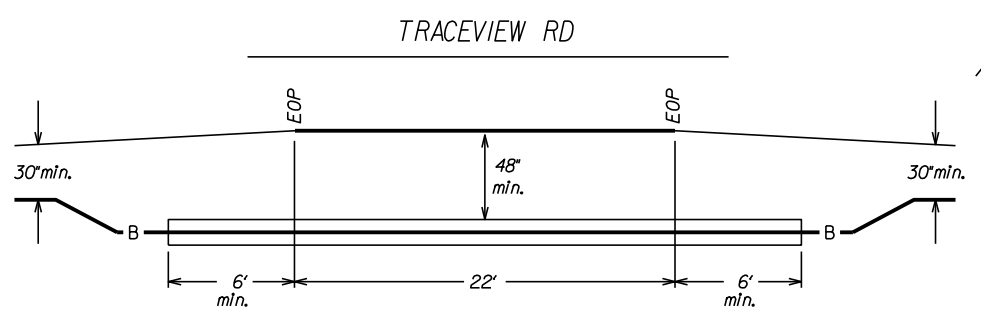


- ⑤ PROPOSED BURIED FIBER  
1089'
- ⑧④ PROPOSED CONDUIT  
83'
- ⑧⑧ PROPOSED CONDUIT  
61'
- ⑤⑦ EXISTING BURIED CABLE
- ⑤⑧ EXISTING BURIED CABLE

**BURIED POWER**  
**CAUTION**  
Volts to Ground  
**301V to 15KV**

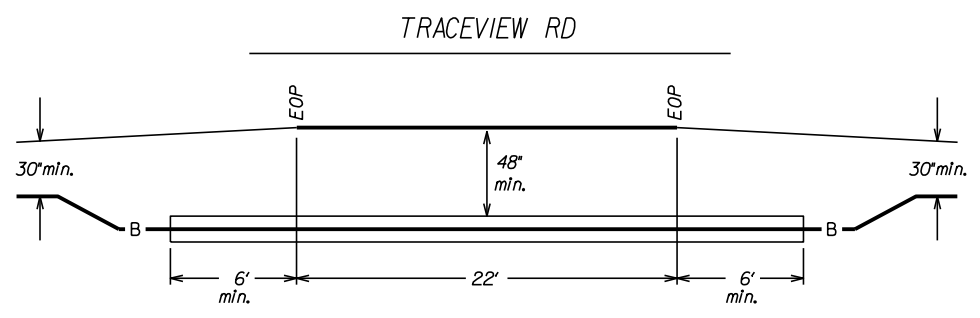
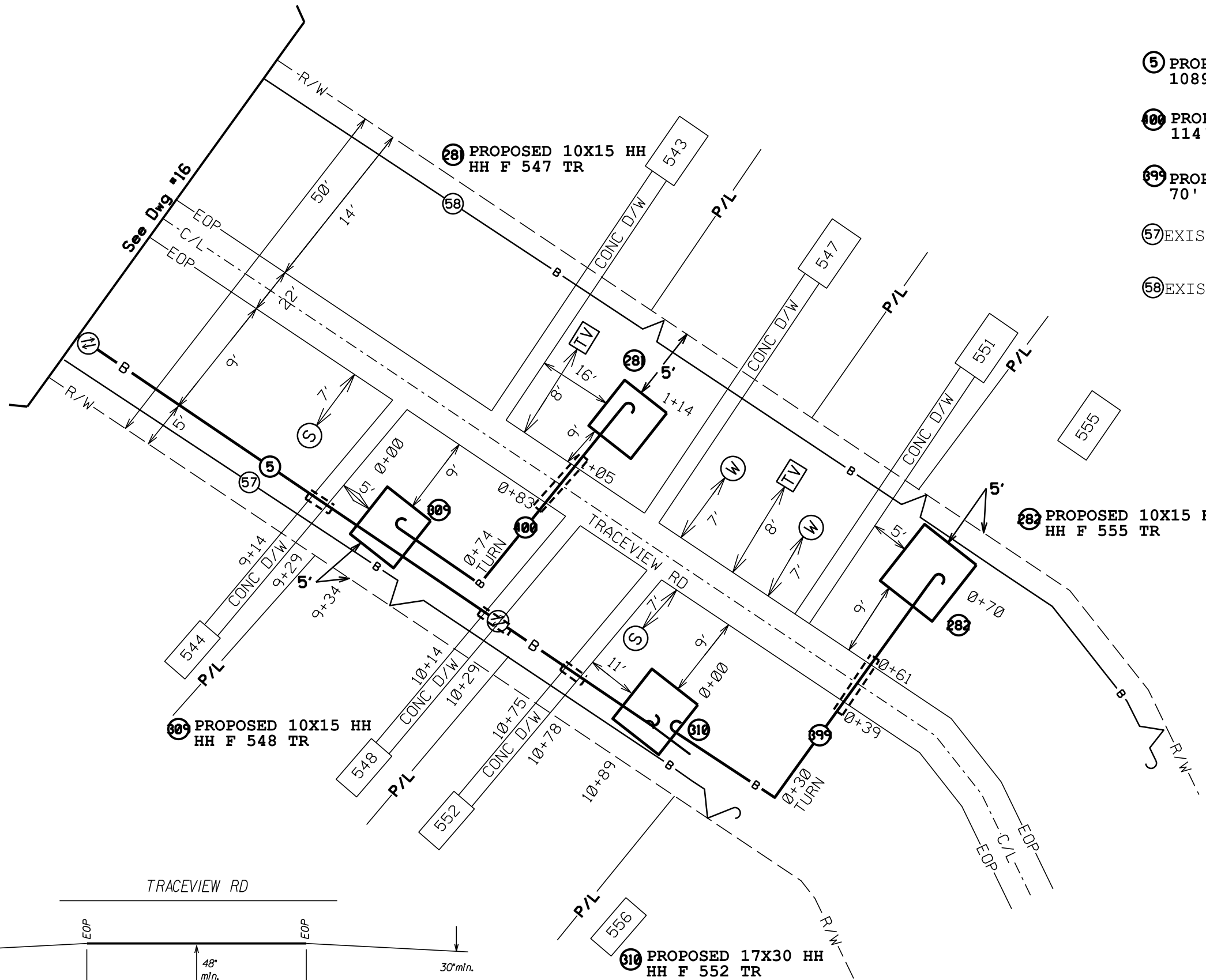
**ATTSE**  
PROPOSED TELEPHONE FACILITIES  
ON RIGHT OF WAY OF  
MADISON COUNTY

Exchange:	601856
Designer:	Darrin Phillips
Phone:	318-233-0497
Authorization:	24J00009N
Dwg. <u>16</u> of <u>36</u>	





- ⑤ PROPOSED BURIED FIBER  
1089'
- ⑩⑩ PROPOSED CONDUIT  
114'
- ⑨⑨ PROPOSED CONDUIT  
70'
- ⑤⑦ EXISTING BURIED CABLE
- ⑤⑧ EXISTING BURIED CABLE



**BURIED POWER**  
**CAUTION**  
Volts to Ground  
**301V to 15KV**

**ATTSE**  
PROPOSED TELEPHONE FACILITIES  
ON RIGHT OF WAY OF  
MADISON COUNTY

Exchange:	601856
Designer:	Darrin Phillips
Phone:	318-233-0497
Authorization:	24J00009N
Dwg. <u>17</u> of <u>36</u>	



85 EXISTING BURIED CABLE

86 EXISTING BURIED CABLE

94 EXISTING BURIED CABLE

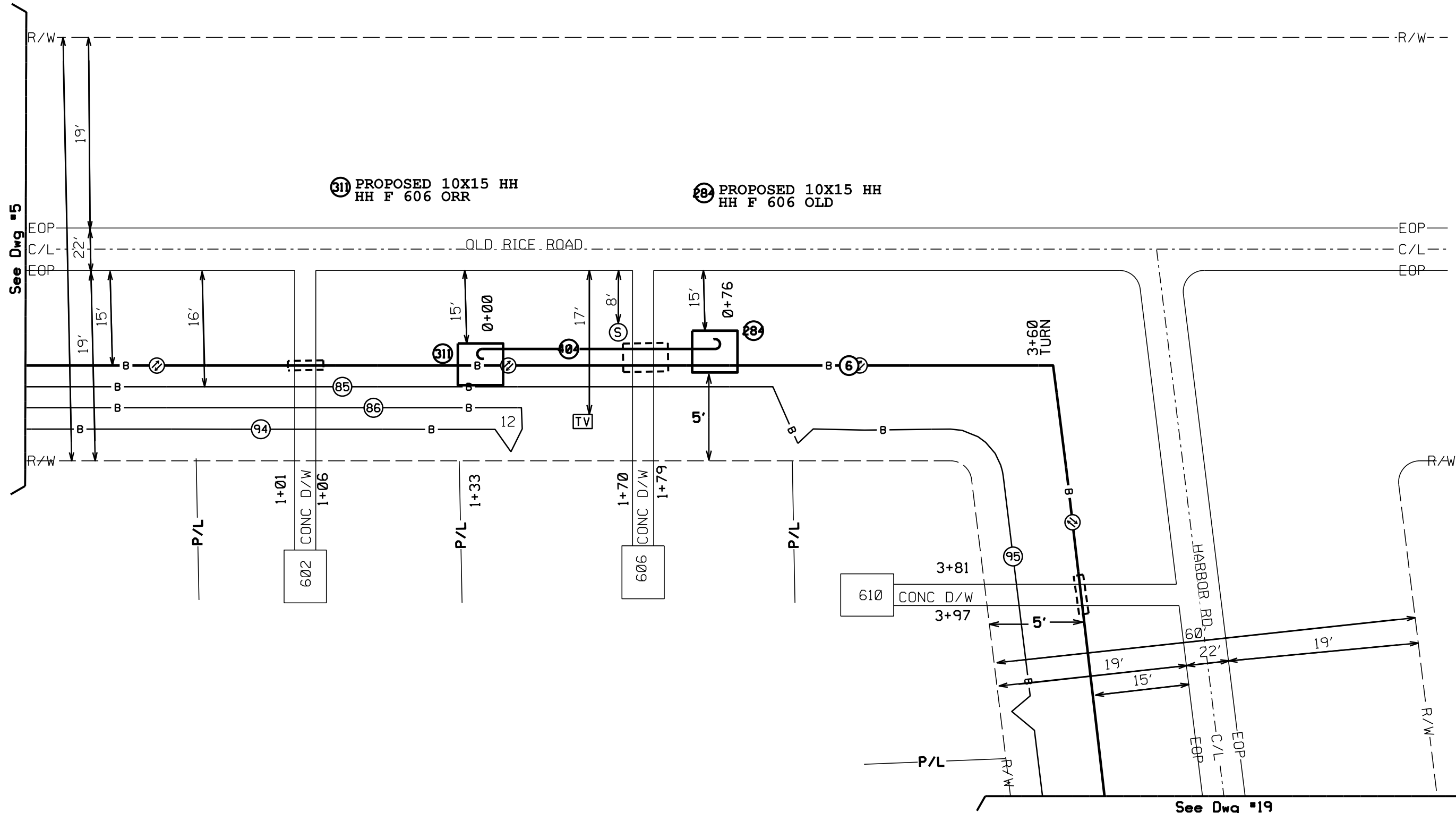
95 EXISTING BURIED CABLE

6 PROPOSED BURIED FIBER 1577'

10 PROPOSED CONDUIT 76'

31 PROPOSED 10X15 HH HH F 606 ORR

28 PROPOSED 10X15 HH HH F 606 OLD



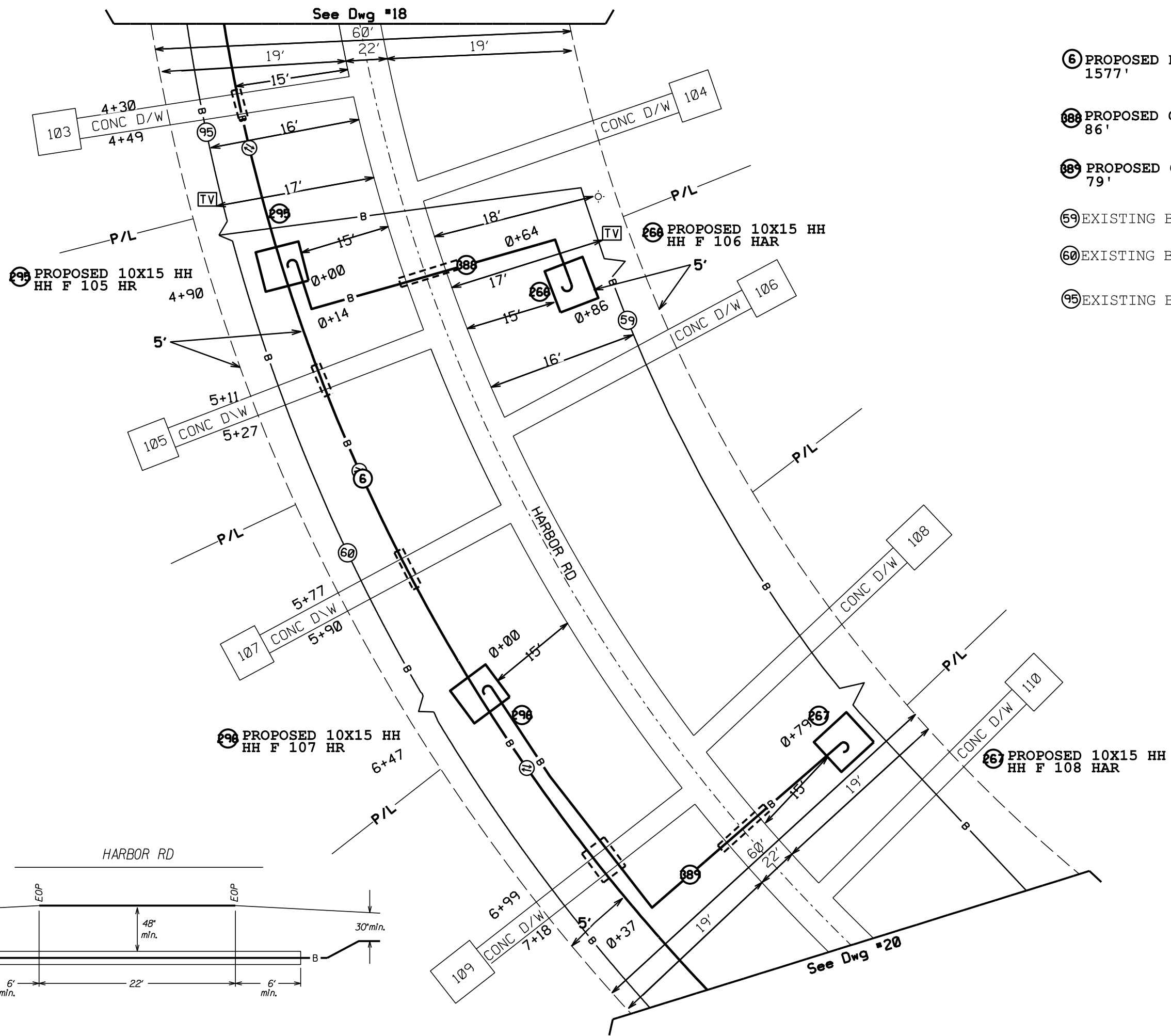
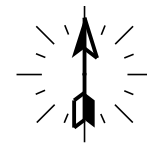
See Dwg #15

See Dwg #19

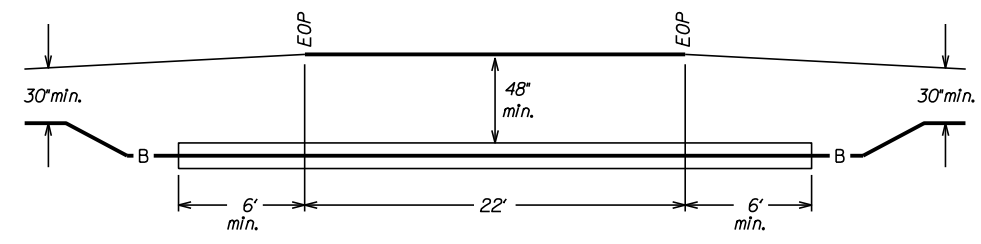
**BURIED POWER**  
**CAUTION**  
 Volts to Ground  
 301V to 15KV

**ATTSE**  
 PROPOSED TELEPHONE FACILITIES  
 ON RIGHT OF WAY OF  
 MADISON COUNTY

Exchange: 601856  
 Designer: Darrin Phillips  
 Phone: 318-233-0497  
 Authorization: 24J00009N  
 Dwg. 18 of 36



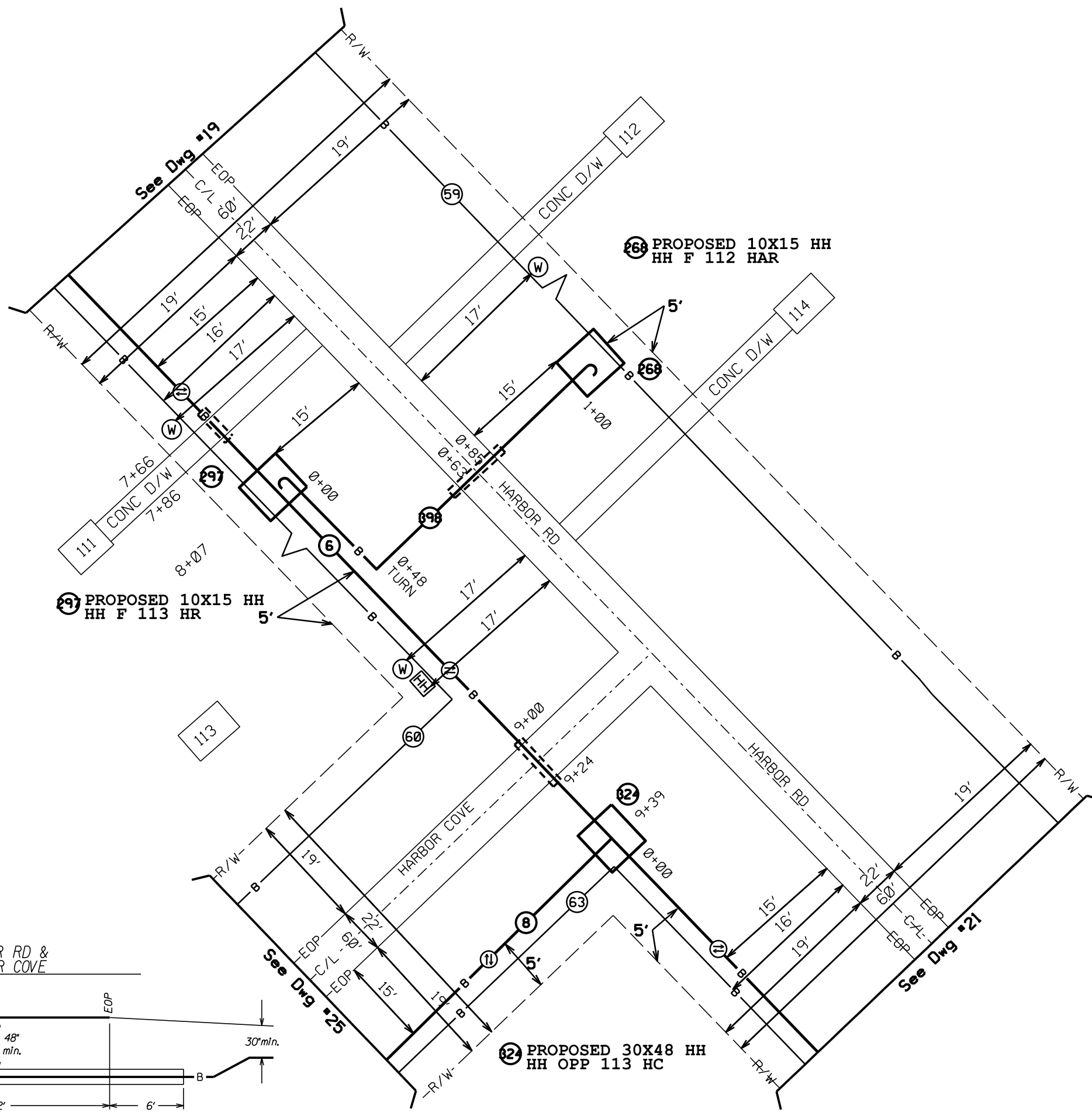
- ⑥ PROPOSED BURIED FIBER  
1577'
- ⑧⑧ PROPOSED CONDUIT  
86'
- ⑧⑨ PROPOSED CONDUIT  
79'
- ⑤⑨ EXISTING BURIED CABLE
- ⑥⑩ EXISTING BURIED CABLE
- ⑨⑤ EXISTING BURIED CABLE



**BURIED POWER**  
**CAUTION**  
Volts to Ground  
**301V to 15KV**

**ATTSE**  
PROPOSED TELEPHONE FACILITIES  
ON RIGHT OF WAY OF  
MADISON COUNTY

Exchange:	601856
Designer:	Darrin Phillips
Phone:	318-233-0497
Authorization:	24J00009N
Dwg. <u>19</u> of <u>36</u>	



- ⑥ PROPOSED BURIED FIBER  
1577'
- ⑧ PROPOSED BURIED FIBER  
274'
- ⑧ PROPOSED CONDUIT  
100'
- ⑤ EXISTING BURIED CABLE
- ⑥ EXISTING BURIED CABLE
- ⑥ EXISTING BURIED CABLE

② PROPOSED 10X15 HH  
HH F 113 HR

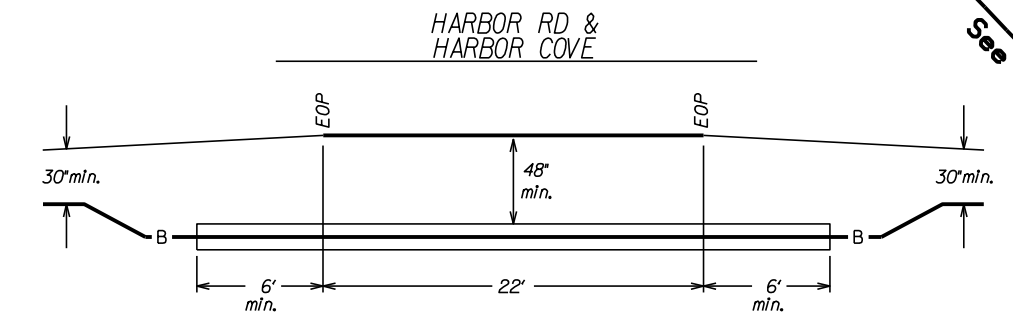
② PROPOSED 10X15 HH  
HH F 112 HAR

② PROPOSED 30X48 HH  
HH OPP 113 HC

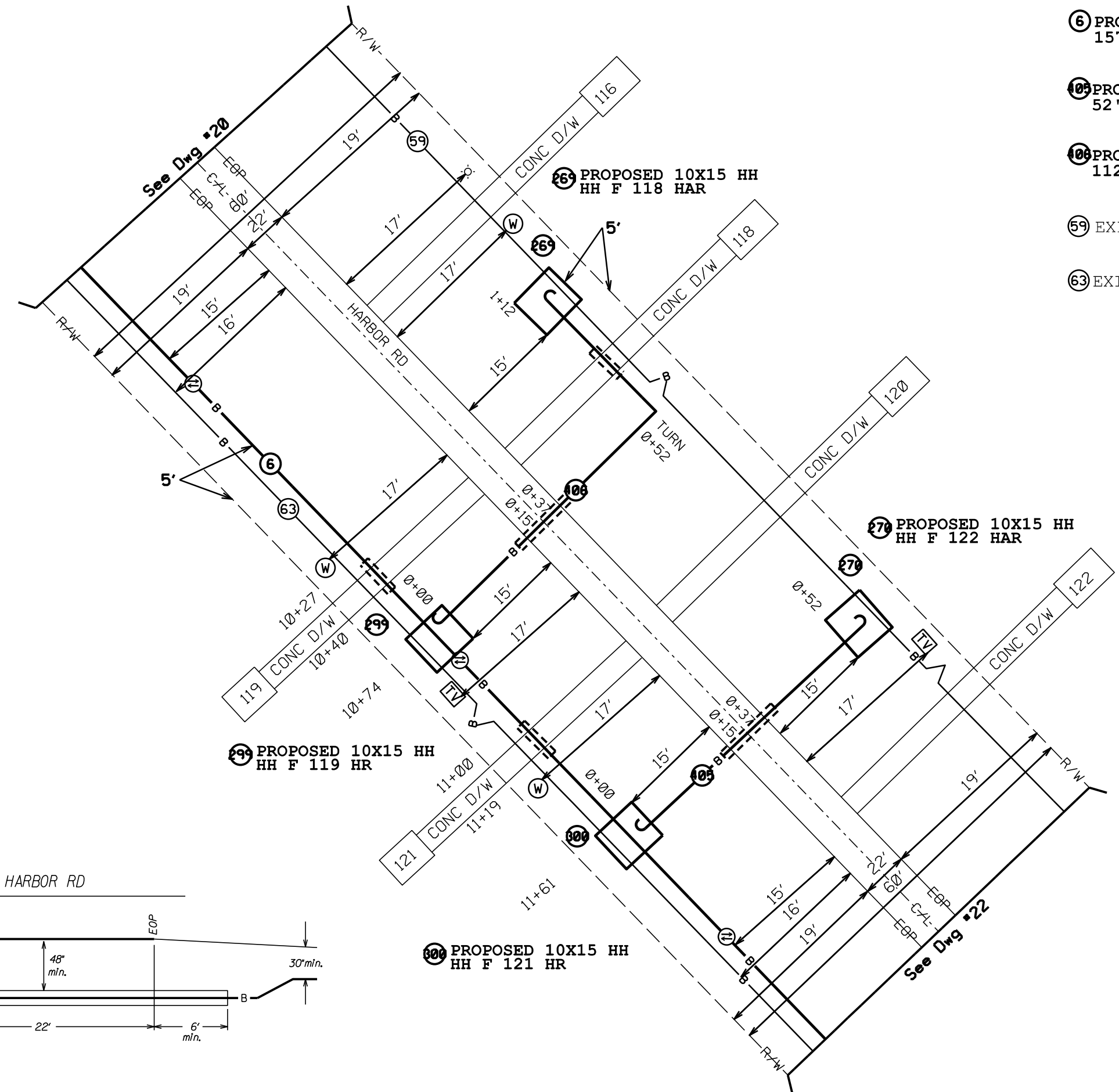
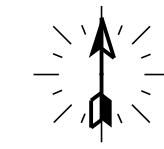
**BURIED POWER**  
**CAUTION**  
Volts to Ground  
**301V to 15KV**

**ATTSE**  
PROPOSED TELEPHONE FACILITIES  
ON RIGHT OF WAY OF  
MADISON COUNTY

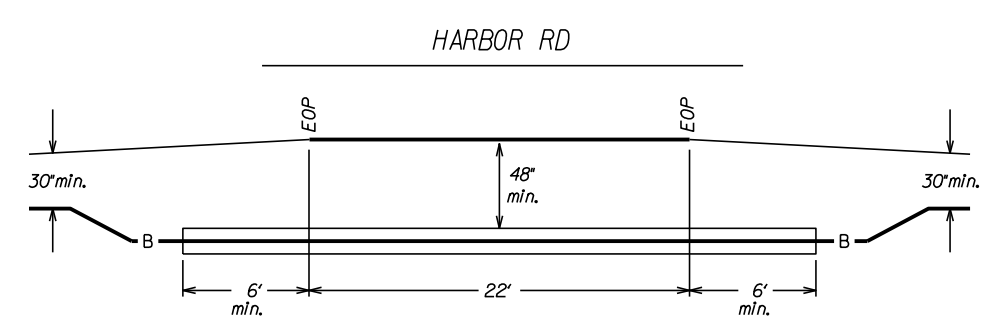
Exchange:	601856
Designer:	Darrin Phillips
Phone:	318-233-0497
Authorization:	24J00009N
Dwg. <u>20</u> of <u>36</u>	







- ⑥ PROPOSED BURIED FIBER  
1577'
- ⑩⑤ PROPOSED CONDUIT  
52'
- ⑩⑥ PROPOSED CONDUIT  
112'
- ⑤⑨ EXISTING BURIED CABLE
- ⑥③ EXISTING BURIED CABLE



**BURIED POWER**

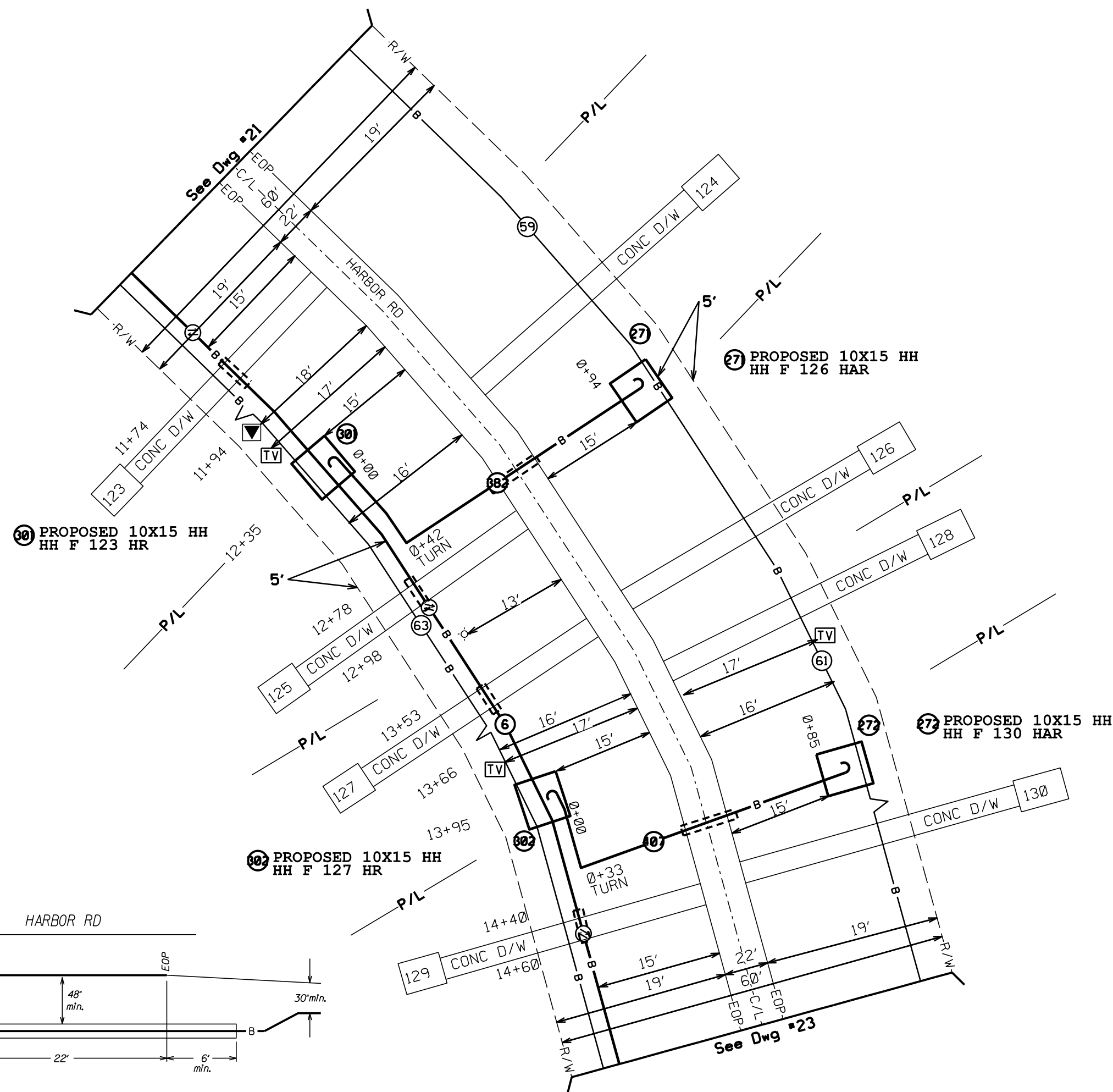
***CAUTION***

Volts to Ground  
**301V to 15KV**

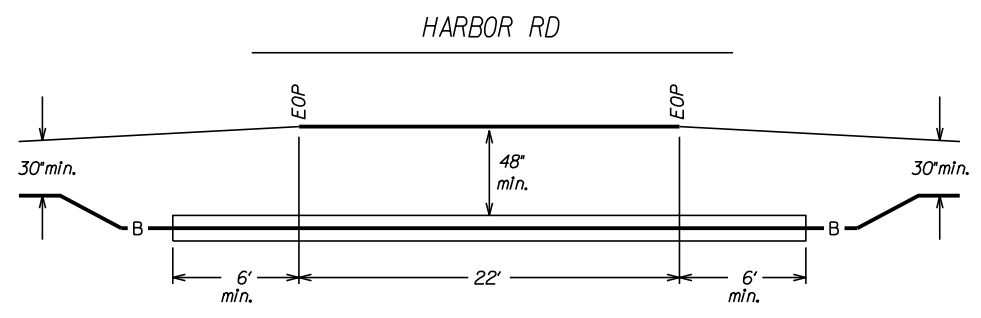
**ATTSE**

PROPOSED TELEPHONE FACILITIES  
ON RIGHT OF WAY OF  
MADISON COUNTY

Exchange:	601856
Designer:	Darrin Phillips
Phone:	318-233-0497
Authorization:	24J00009N
Dwg. <u>  21  </u> of <u>  36  </u>	



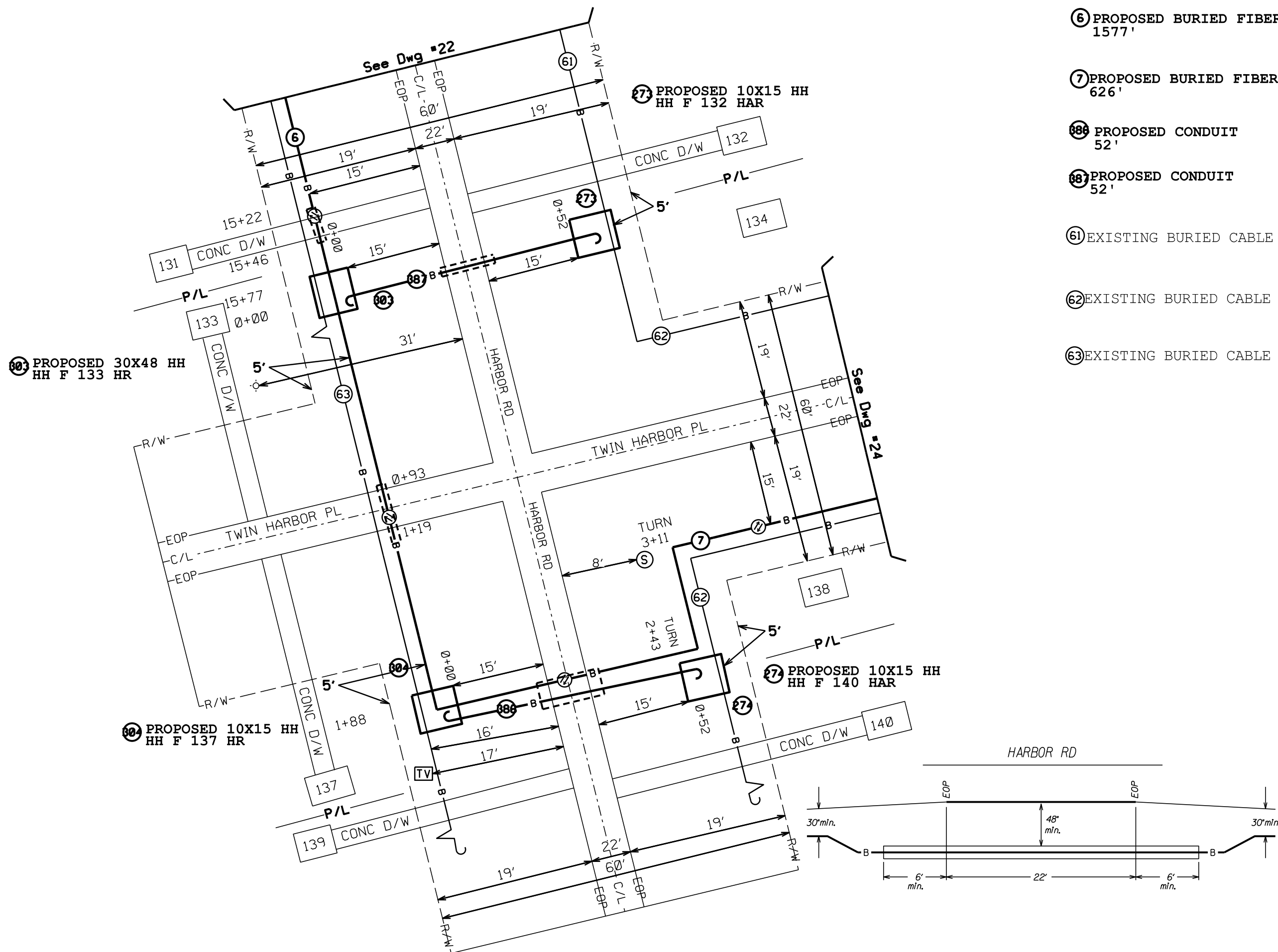
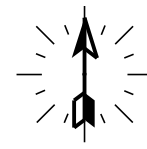
- ⑥ PROPOSED BURIED FIBER  
1577'
- ⑧2 PROPOSED CONDUIT  
94'
- ⑩7 PROPOSED CONDUIT  
85'
- ⑤9 EXISTING BURIED CABLE
- ⑥1 EXISTING BURIED CABLE
- ⑥3 EXISTING BURIED CABLE



**BURIED POWER**  
**CAUTION**  
Volts to Ground  
**301V to 15KV**

**ATTSE**  
PROPOSED TELEPHONE FACILITIES  
ON RIGHT OF WAY OF  
MADISON COUNTY

Exchange:	601856
Designer:	Darrin Phillips
Phone:	318-233-0497
Authorization:	24J00009N
Dwg. <u>22</u> of <u>36</u>	



- ⑥ PROPOSED BURIED FIBER 1577'
- ⑦ PROPOSED BURIED FIBER 626'
- ⑧ PROPOSED CONDUIT 52'
- ⑨ PROPOSED CONDUIT 52'
- ⑩ EXISTING BURIED CABLE
- ⑪ EXISTING BURIED CABLE
- ⑫ EXISTING BURIED CABLE

**BURIED POWER**  
**CAUTION**  
 Volts to Ground  
 301V to 15KV

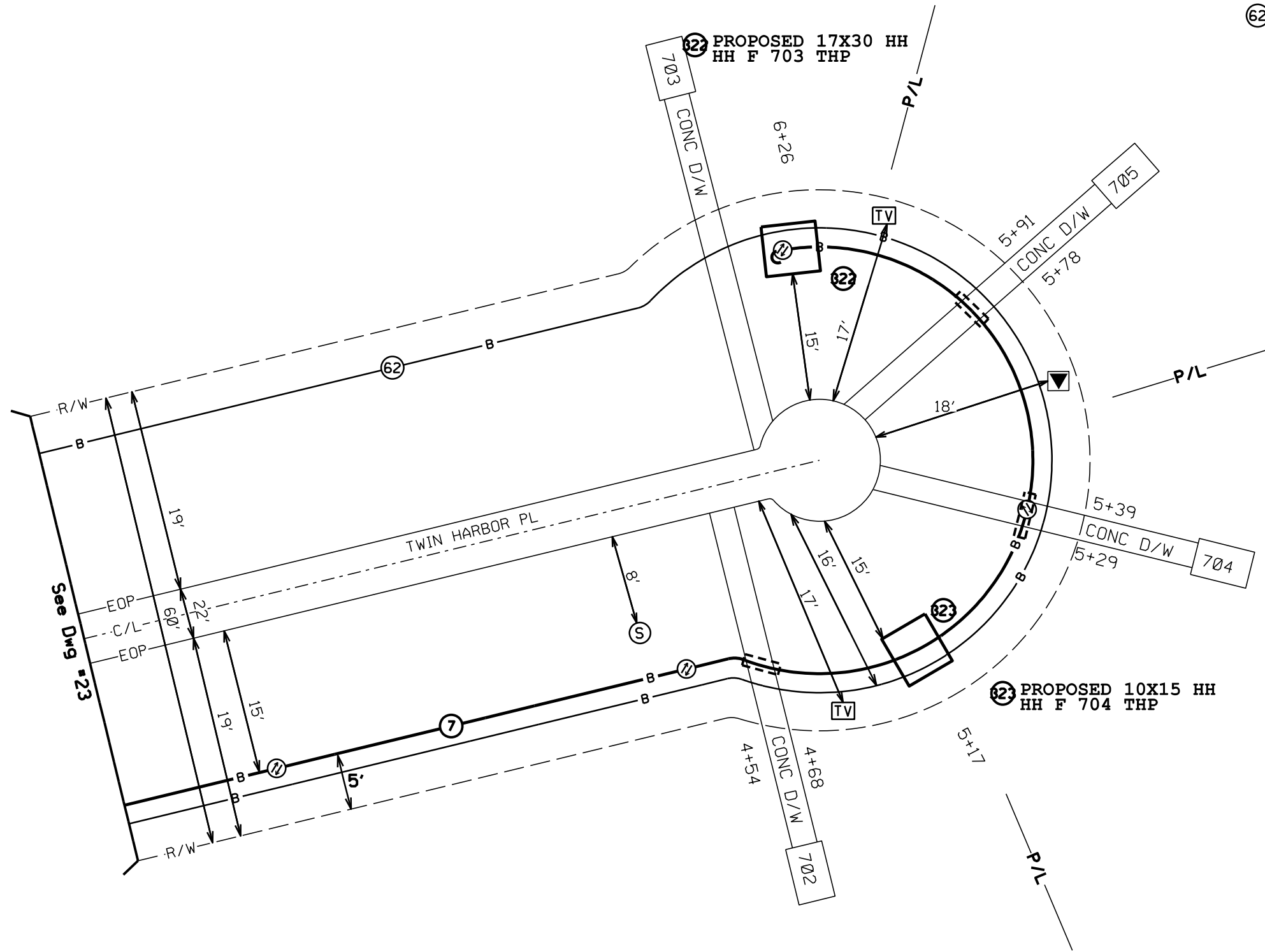
**ATTSE**  
 PROPOSED TELEPHONE FACILITIES  
 ON RIGHT OF WAY OF  
 MADISON COUNTY

Exchange: 601856  
 Designer: Darrin Phillips  
 Phone: 318-233-0497  
 Authorization: 24J00009N  
 Dwg. 23 of 36



⑦ PROPOSED BURIED FIBER  
626'

⑥2 EXISTING BURIED CABLE



**BURIED POWER**

**CAUTION**

Volts to Ground

**301V to 15KV**

**ATTSE**

PROPOSED TELEPHONE FACILITIES  
ON RIGHT OF WAY OF  
MADISON COUNTY

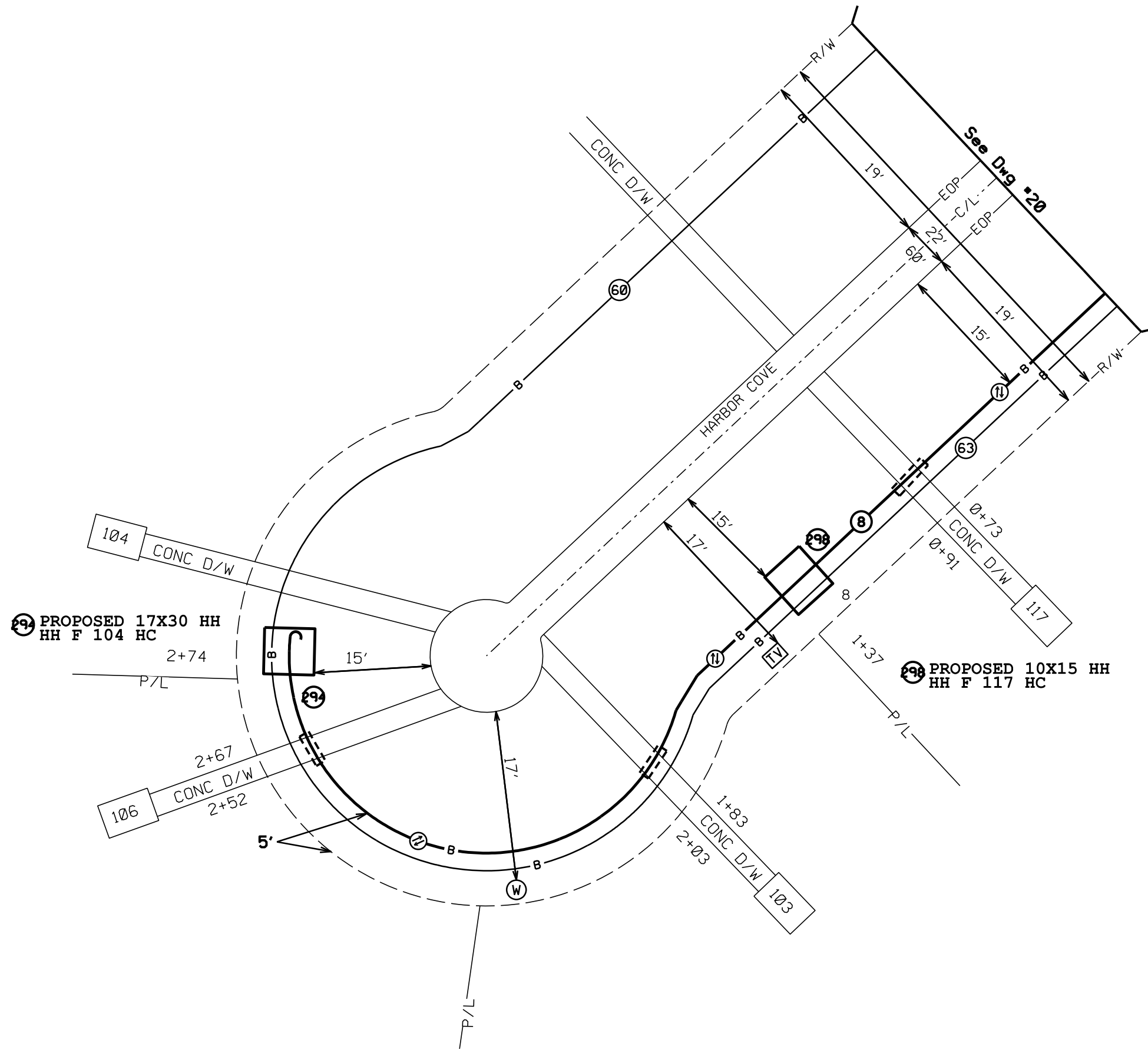
Exchange: 601856

Designer: Darrin Phillips

Phone: 318-233-0497

Authorization: 24J00009N

Dwg. 24 of 36

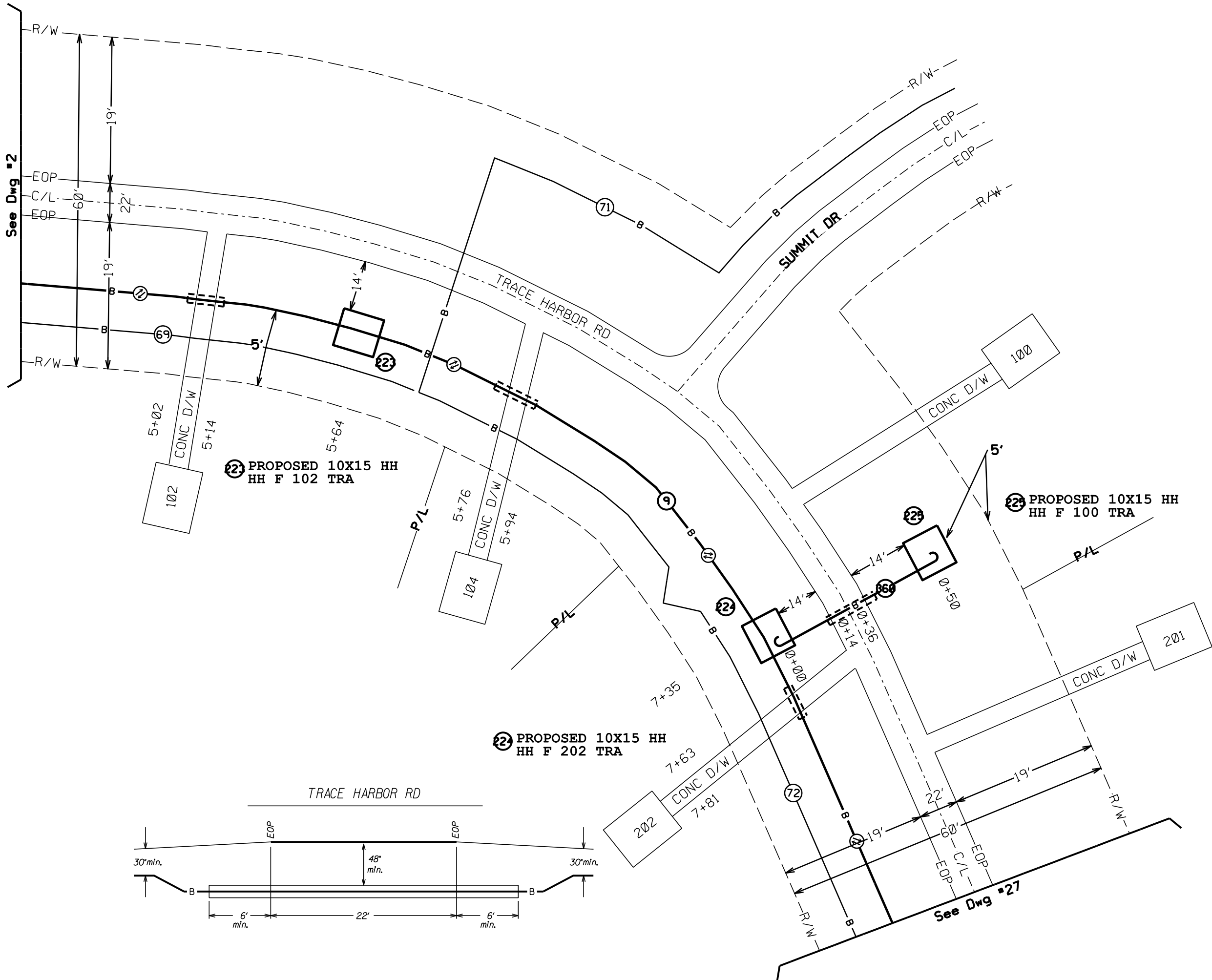
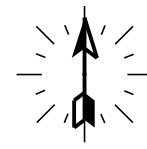


- ⑧ PROPOSED BURIED FIBER  
274'
- ⑥⑩ EXISTING BURIED CABLE
- ⑥③ EXISTING BURIED CABLE

**BURIED POWER**  
**CAUTION**  
Volts to Ground  
301V to 15KV

**ATTSE**  
PROPOSED TELEPHONE FACILITIES  
ON RIGHT OF WAY OF  
MADISON COUNTY

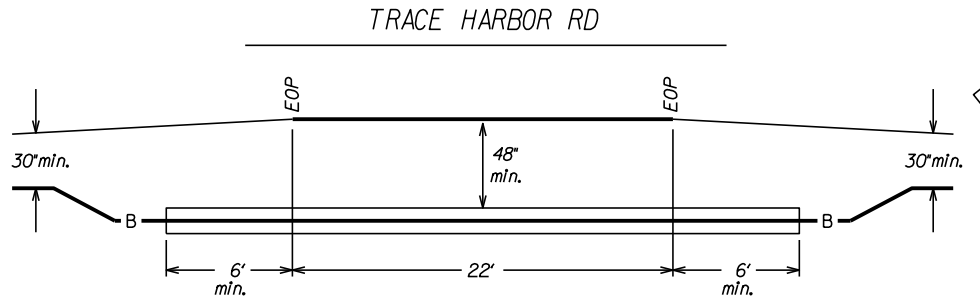
Exchange:	601856
Designer:	Darrin Phillips
Phone:	318-233-0497
Authorization:	24J00009N
Dwg. <u>25</u> of <u>36</u>	



See Dwg #2

See Dwg #27

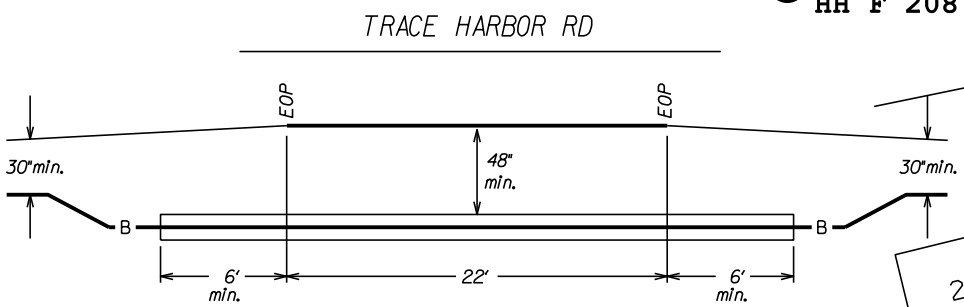
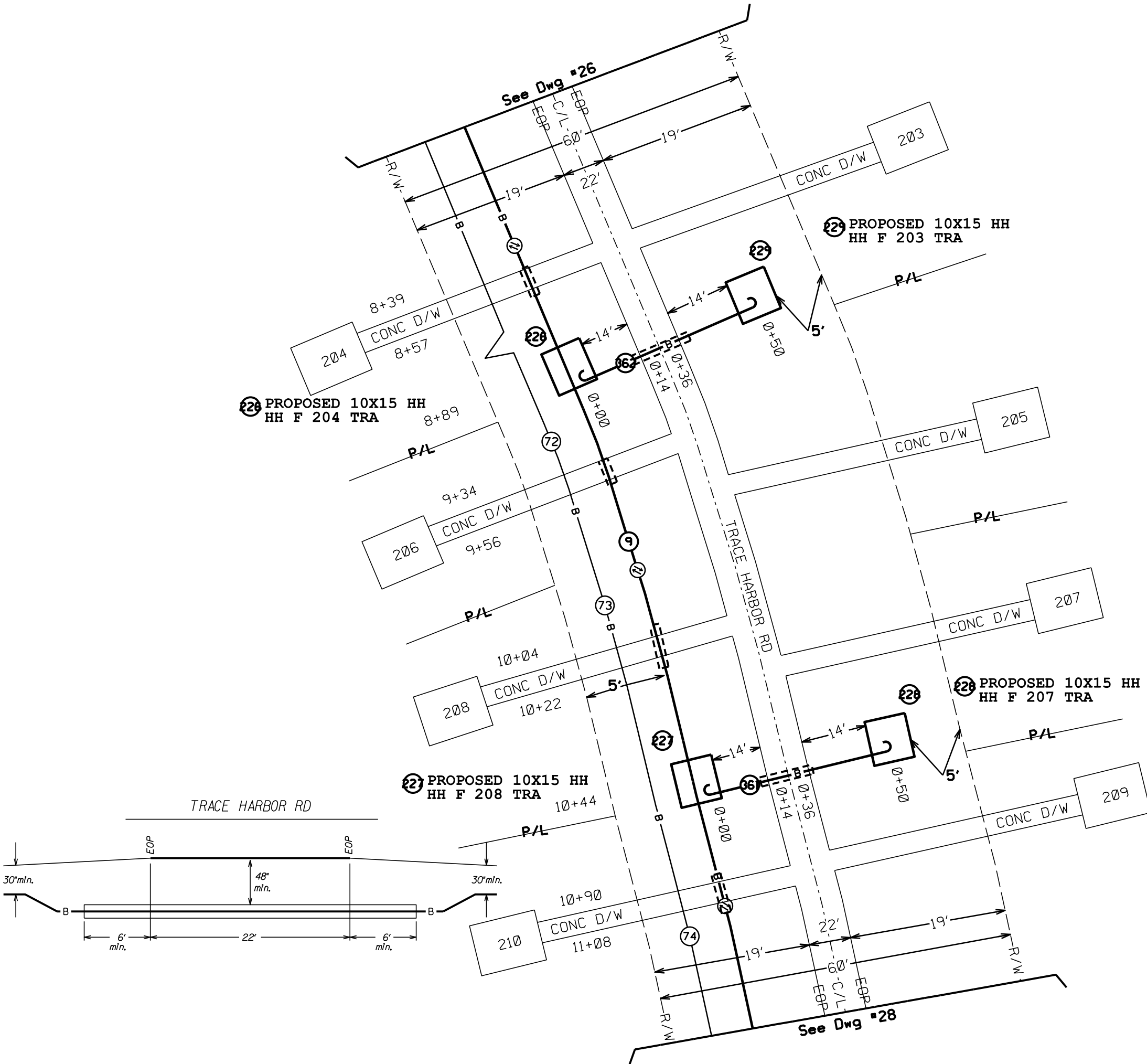
- ⑨ PROPOSED BURIED FIBER  
1453'
- ⑥⑥ PROPOSED CONDUIT  
50'
- ⑥⑨ EXISTING BURIED CABLE
- ⑦① EXISTING BURIED CABLE
- ⑦② EXISTING BURIED CABLE



**BURIED POWER**  
**CAUTION**  
Volts to Ground  
**301V to 15KV**

**ATTSE**  
PROPOSED TELEPHONE FACILITIES  
ON RIGHT OF WAY OF  
MADISON COUNTY

Exchange:	601856
Designer:	Darrin Phillips
Phone:	318-233-0497
Authorization:	24J00009N
Dwg. <u>26</u> of <u>36</u>	

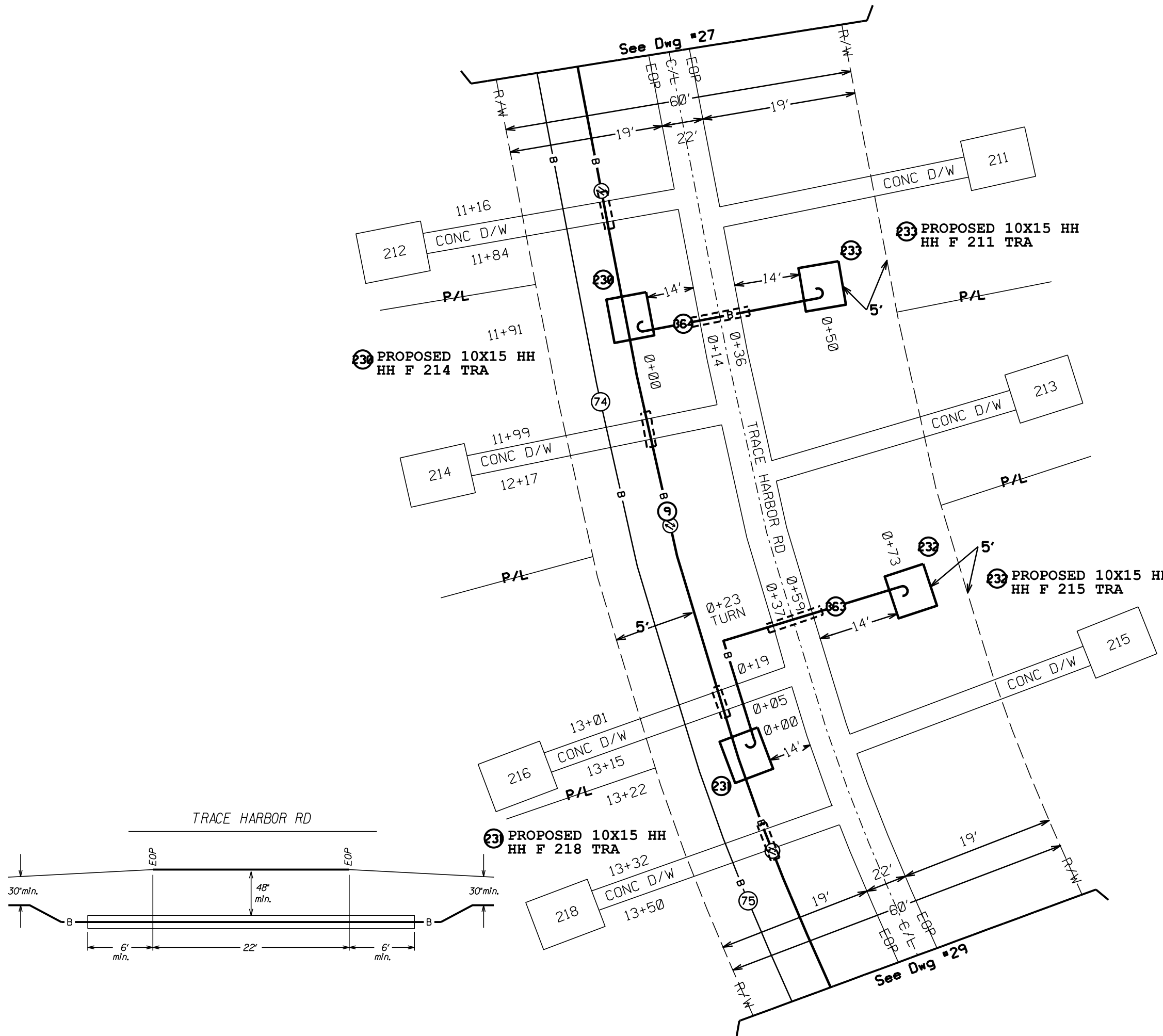
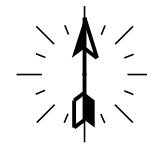


- ⑨ PROPOSED BURIED FIBER  
1453'
- ③⑥ PROPOSED CONDUIT  
50'
- ③⑥② PROPOSED CONDUIT  
50'
- ⑦② EXISTING BURIED CABLE
- ⑦③ EXISTING BURIED CABLE
- ⑦④ EXISTING BURIED CABLE

**BURIED POWER**  
**CAUTION**  
Volts to Ground  
**301V to 15KV**

**ATTSE**  
PROPOSED TELEPHONE FACILITIES  
ON RIGHT OF WAY OF  
MADISON COUNTY

Exchange:	601856
Designer:	Darrin Phillips
Phone:	318-233-0497
Authorization:	24J00009N
Dwg. <u>27</u> of <u>36</u>	



- ⑨ PROPOSED BURIED FIBER 1453'
- ⑨63 PROPOSED CONDUIT 73'
- ⑨64 PROPOSED CONDUIT 50'
- ⑦4 EXISTING BURIED CABLE
- ⑦5 EXISTING BURIED CABLE

**BURIED POWER**

**CAUTION**

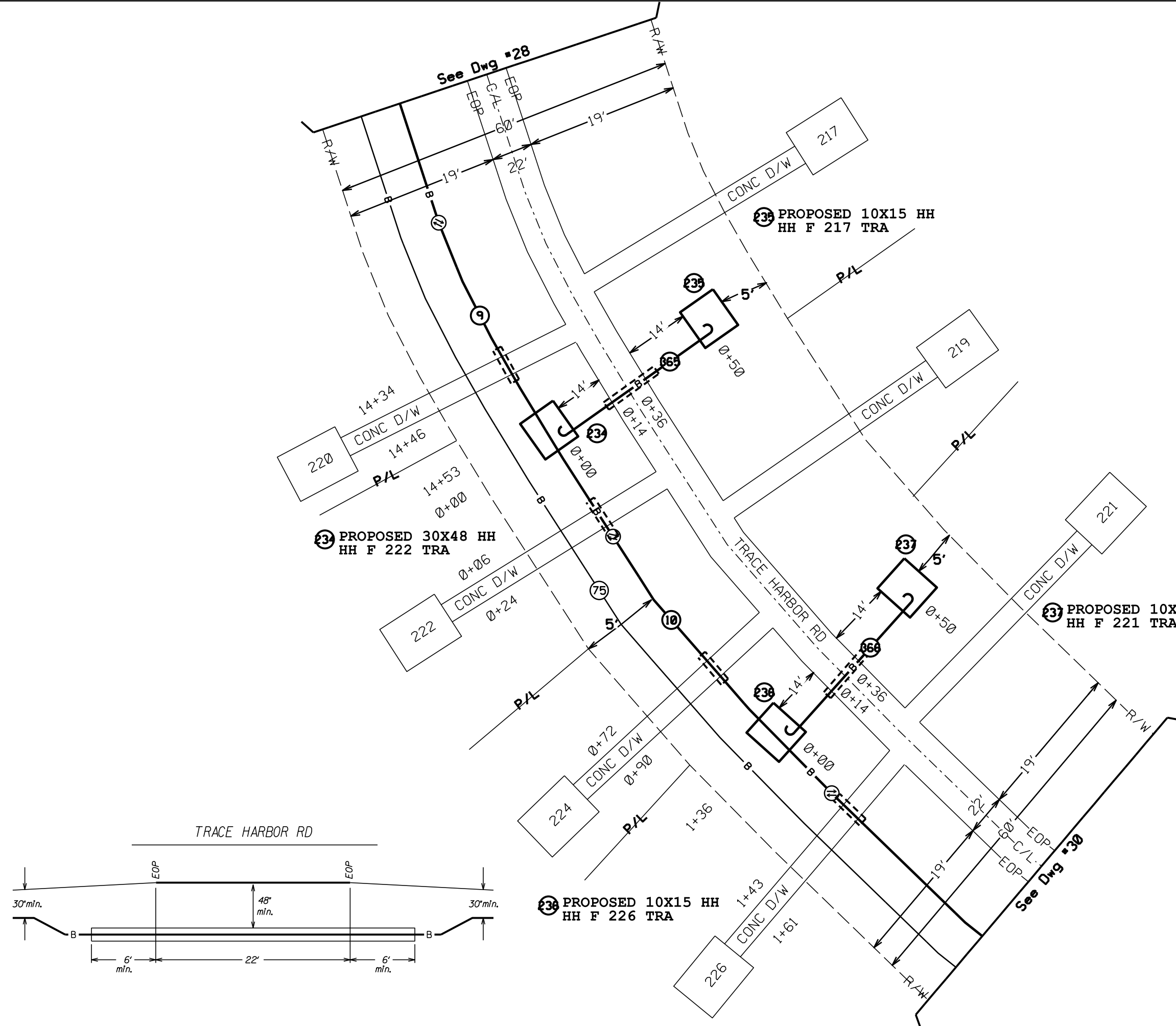
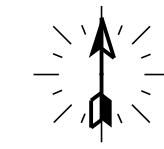
Volts to Ground  
301V to 15KV

**ATTSE**

PROPOSED TELEPHONE FACILITIES  
ON RIGHT OF WAY OF  
MADISON COUNTY

Exchange:	601856
Designer:	Darrin Phillips
Phone:	318-233-0497
Authorization:	24J00009N
Dwg. <u>28</u> of <u>36</u>	





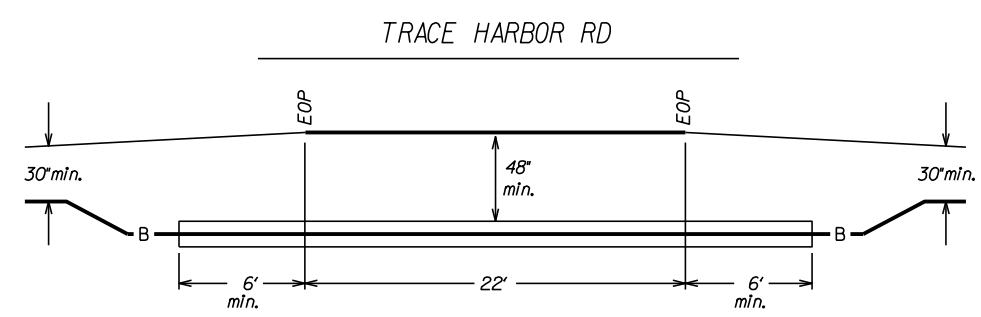
- ⑨ PROPOSED BURIED FIBER 1453'
- ⑩ PROPOSED BURIED FIBER 1424'
- ⑥⑤ PROPOSED CONDUIT 50'
- ⑥⑥ PROPOSED CONDUIT 50'
- ⑦⑤ EXISTING BURIED CABLE

②③ PROPOSED 30X48 HH  
HH F 222 TRA

②③⑤ PROPOSED 10X15 HH  
HH F 217 TRA

②③⑦ PROPOSED 10X15 HH  
HH F 221 TRA

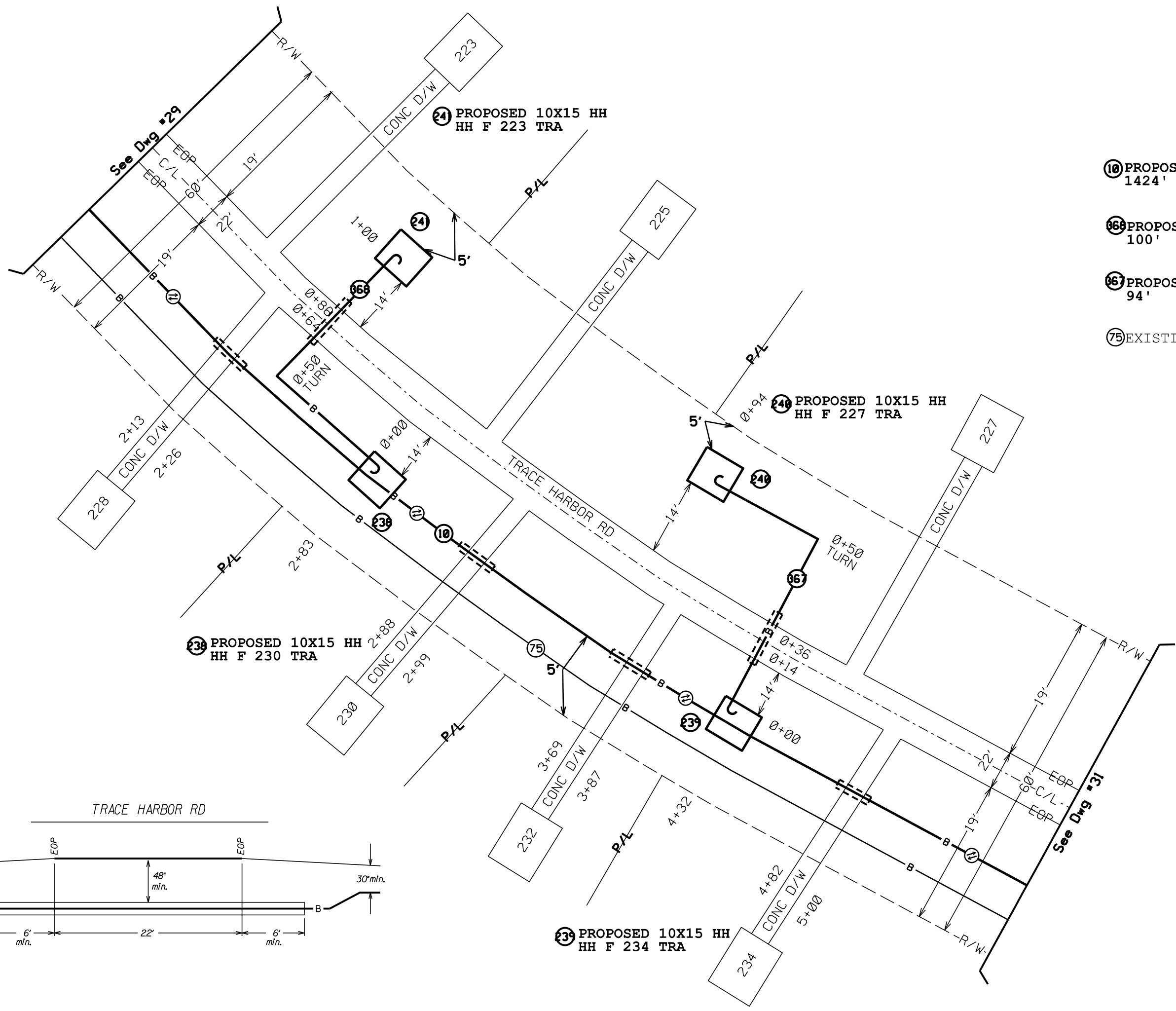
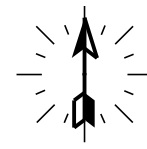
②③⑧ PROPOSED 10X15 HH  
HH F 226 TRA



**BURIED POWER**  
**CAUTION**  
Volts to Ground  
301V to 15KV

**ATTSE**  
PROPOSED TELEPHONE FACILITIES  
ON RIGHT OF WAY OF  
MADISON COUNTY

Exchange:	601856
Designer:	Darrin Phillips
Phone:	318-233-0497
Authorization:	24J00009N
Dwg. <u>29</u> of <u>36</u>	



- ⑩ PROPOSED BURIED FIBER  
1424'
- ⑥⑥ PROPOSED CONDUIT  
100'
- ⑥⑦ PROPOSED CONDUIT  
94'
- ⑦⑤ EXISTING BURIED CABLE

②③ PROPOSED 10X15 HH  
HH F 230 TRA

②④ PROPOSED 10X15 HH  
HH F 223 TRA

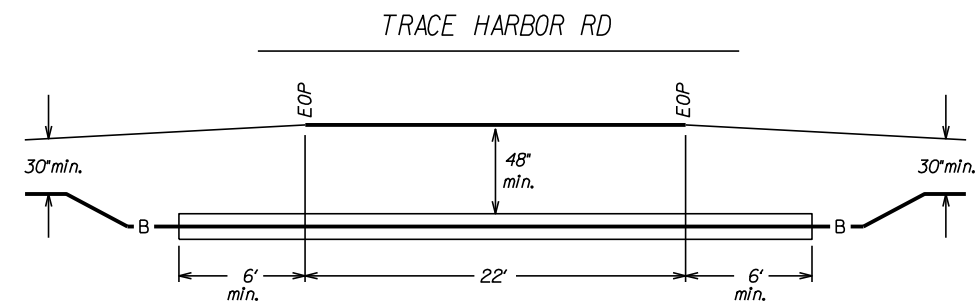
②④ PROPOSED 10X15 HH  
HH F 227 TRA

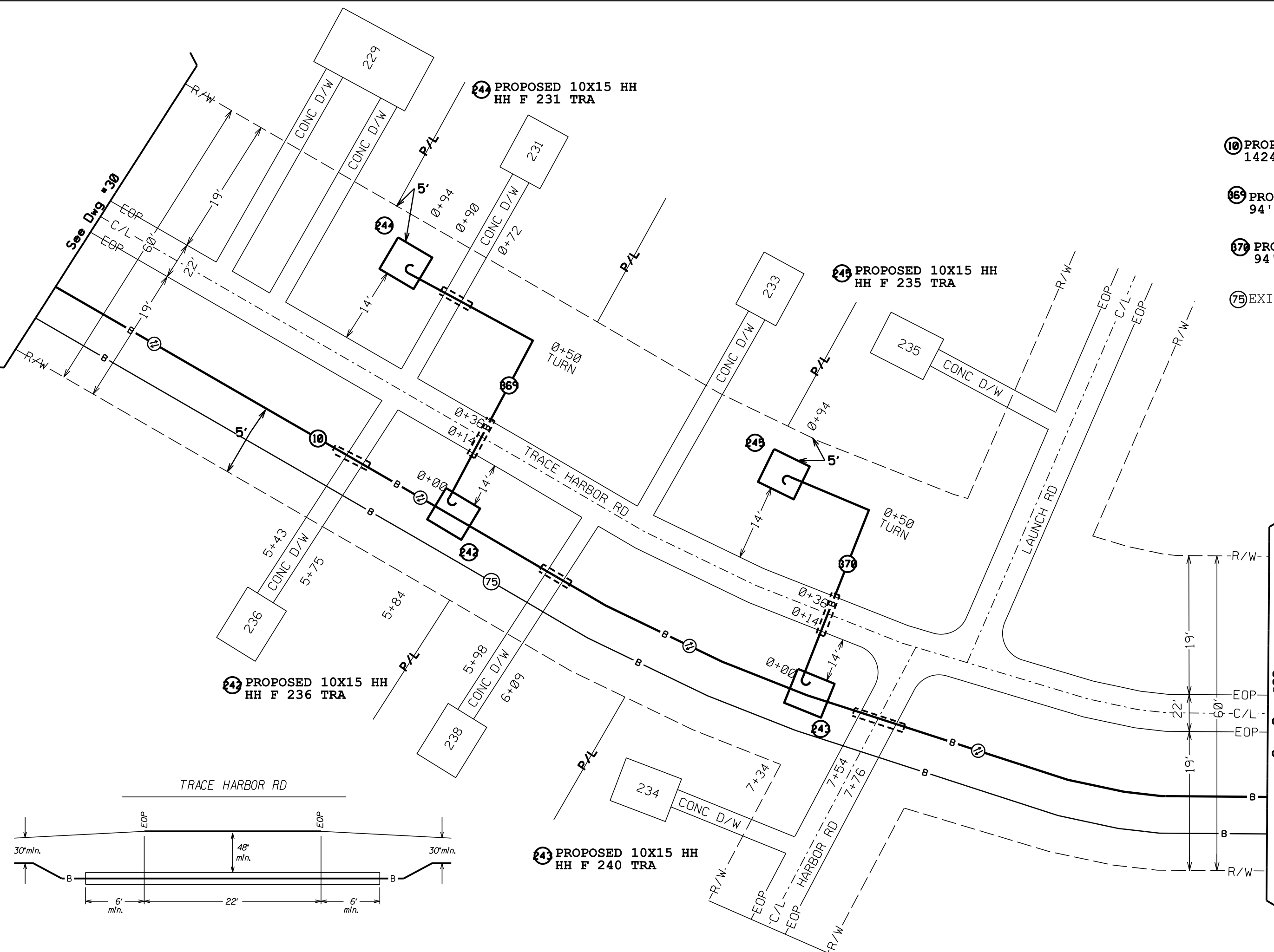
②③ PROPOSED 10X15 HH  
HH F 234 TRA

BURIED POWER  
**CAUTION**  
Volts to Ground  
301V to 15KV

ATTSE  
PROPOSED TELEPHONE FACILITIES  
ON RIGHT OF WAY OF  
MADISON COUNTY

Exchange: 601856  
Designer: Darrin Phillips  
Phone: 318-233-0497  
Authorization: 24J00009N



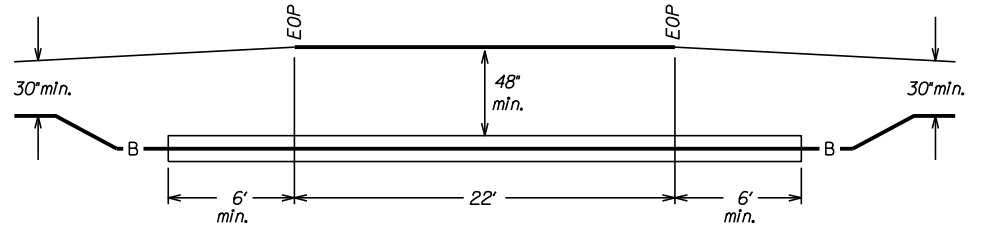


- ⑩ PROPOSED BURIED FIBER  
1424'
- ⑧⑥ PROPOSED CONDUIT  
94'
- ⑧⑦ PROPOSED CONDUIT  
94'
- ⑦⑤ EXISTING BURIED CABLE

**BURI ED POWER**  
**CAUTION**  
 Volts to Ground  
 301V to 15KV

**ATTSE**  
 PROPOSED TELEPHONE FACILITIES  
 ON RIGHT OF WAY OF  
 MADISON COUNTY

Exchange: 601856  
 Designer: Darrin Phillips  
 Phone: 318-233-0497  
 Authorization: 24J00009N  
 Dwg. 31 of 36



See Dwg #32

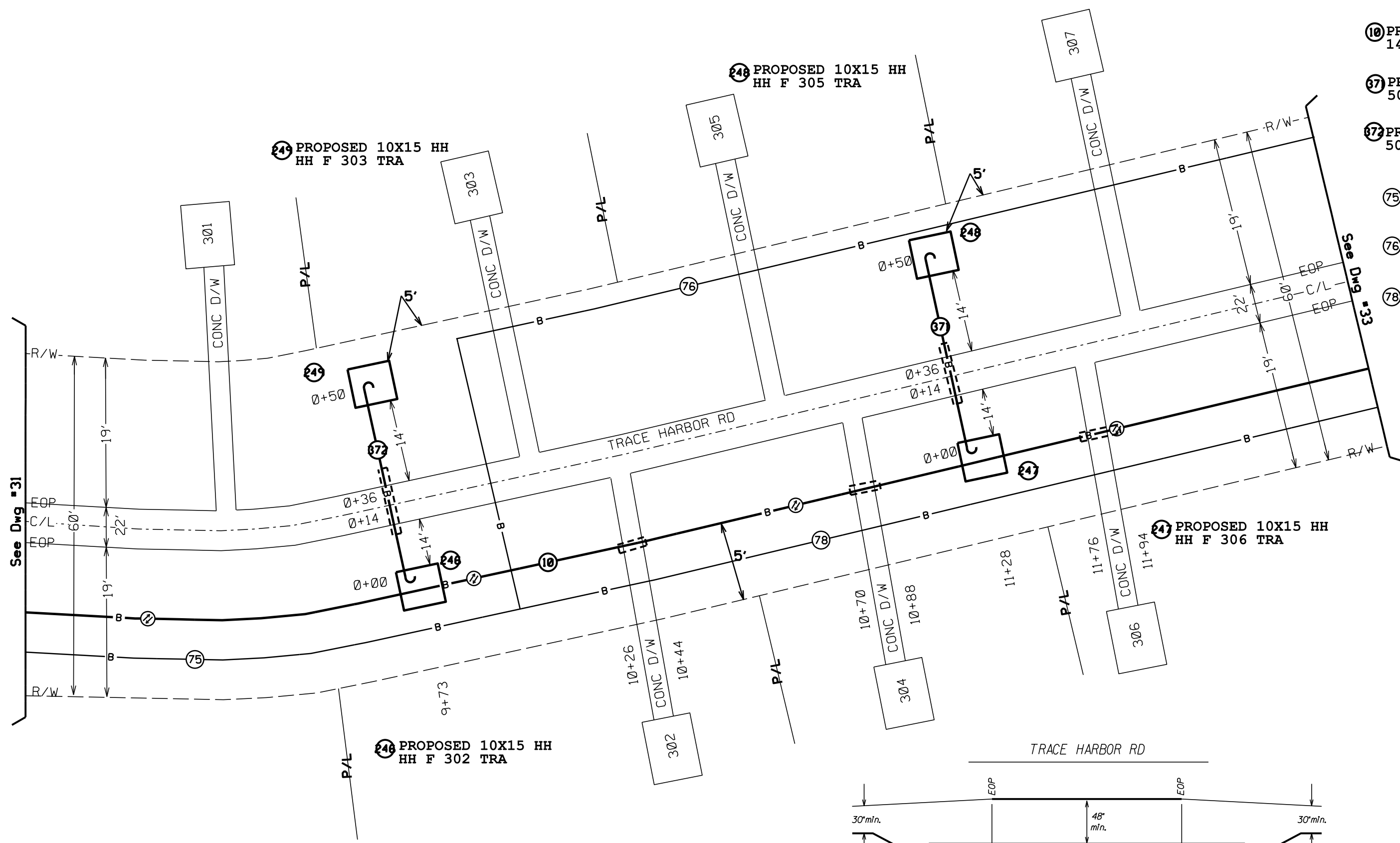
See Dwg #30

②④ PROPOSED 10X15 HH  
HH F 236 TRA

②④ PROPOSED 10X15 HH  
HH F 231 TRA

②④ PROPOSED 10X15 HH  
HH F 235 TRA

②④ PROPOSED 10X15 HH  
HH F 240 TRA



- ⑩ PROPOSED BURIED FIBER  
1424'
- ③⑦ PROPOSED CONDUIT  
50'
- ③⑦② PROPOSED CONDUIT  
50'
- ⑦⑤ EXISTING BURIED CABLE
- ⑦⑥ EXISTING BURIED CABLE
- ⑦⑧ EXISTING BURIED CABLE

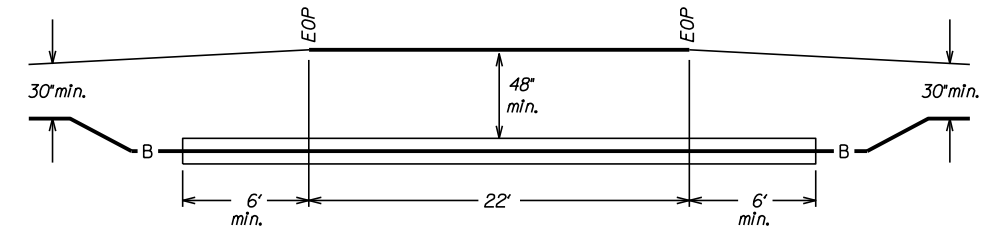
**BURIED POWER**  
**CAUTION**  
Volts to Ground  
**301V to 15KV**

**ATTSE**  
PROPOSED TELEPHONE FACILITIES  
ON RIGHT OF WAY OF  
MADISON COUNTY

Exchange:	601856
Designer:	Darrin Phillips
Phone:	318-233-0497
Authorization:	24J00009N
Dwg. <u>32</u> of <u>36</u>	

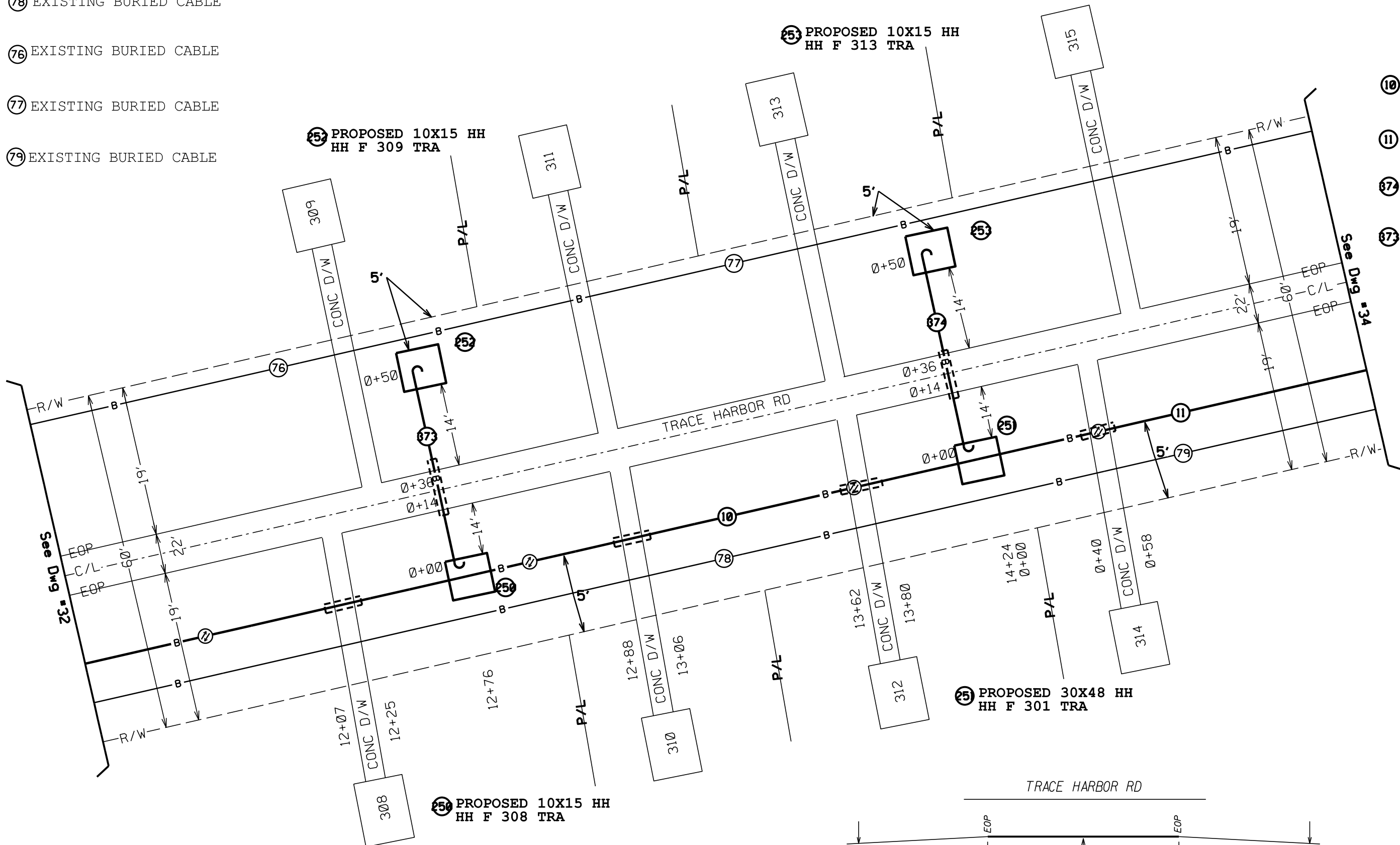
See Dwg #31

See Dwg #33





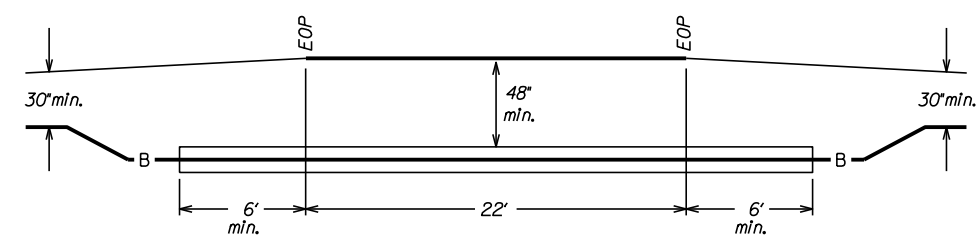
- ⑦⑧ EXISTING BURIED CABLE
- ⑦⑥ EXISTING BURIED CABLE
- ⑦⑦ EXISTING BURIED CABLE
- ⑦⑨ EXISTING BURIED CABLE

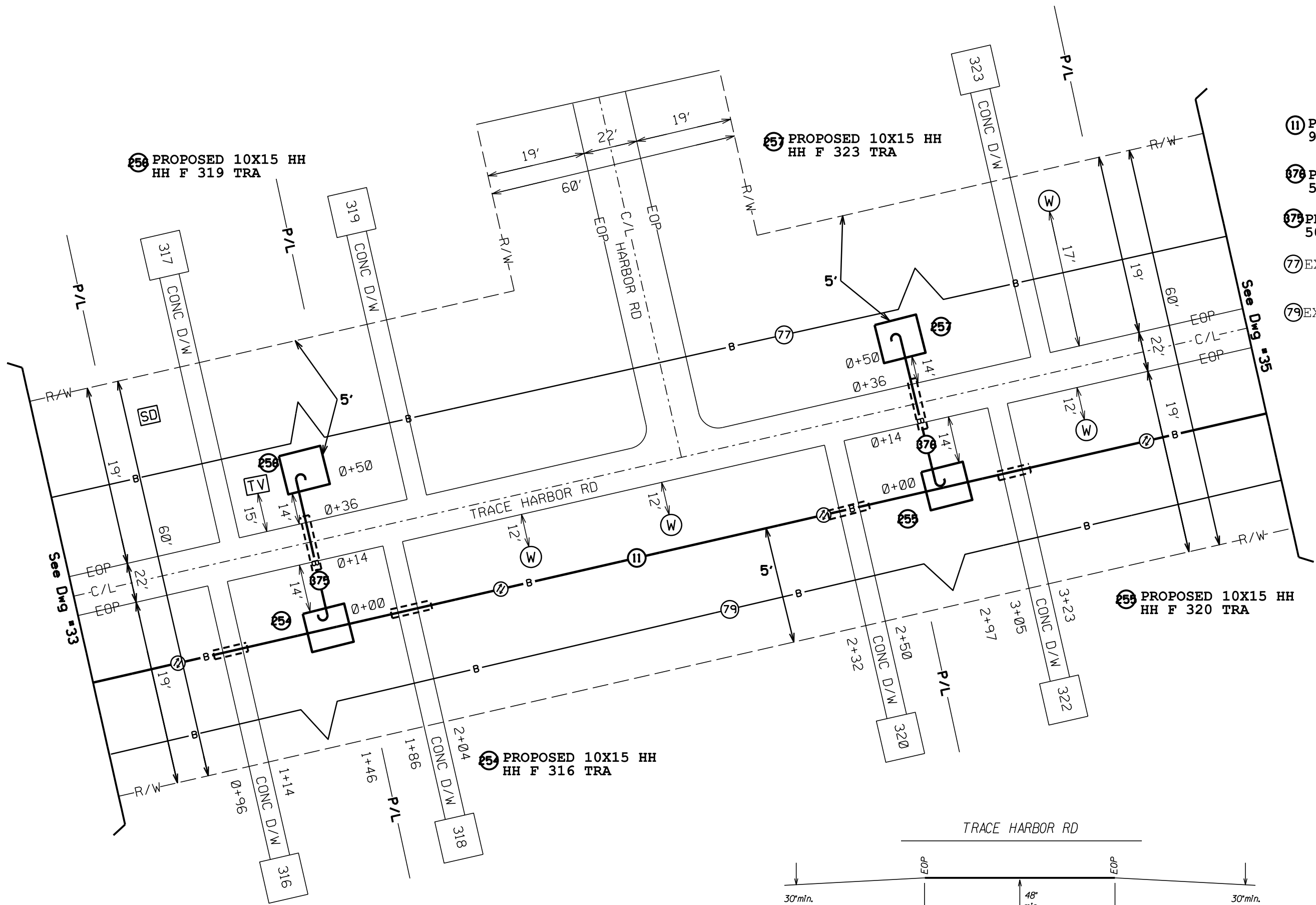
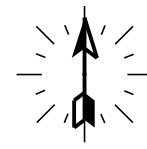


BURIED POWER  
**CAUTION**  
Volts to Ground  
301V to 15KV

**ATTSE**  
PROPOSED TELEPHONE FACILITIES  
ON RIGHT OF WAY OF  
MADISON COUNTY

Exchange: 601856  
Designer: Darrin Phillips  
Phone: 318-233-0497  
Authorization: 24J00009N  
Dwg. 33 of 36





- ⑪ PROPOSED BURIED FIBER 947'
- ⑧76 PROPOSED CONDUIT 50'
- ⑧75 PROPOSED CONDUIT 50'
- ⑦7 EXISTING BURIED CABLE
- ⑦9 EXISTING BURIED CABLE

②5 PROPOSED 10X15 HH  
HH F 320 TRA

②56 PROPOSED 10X15 HH  
HH F 319 TRA

②5 PROPOSED 10X15 HH  
HH F 323 TRA

②5 PROPOSED 10X15 HH  
HH F 316 TRA

**BURIED POWER**

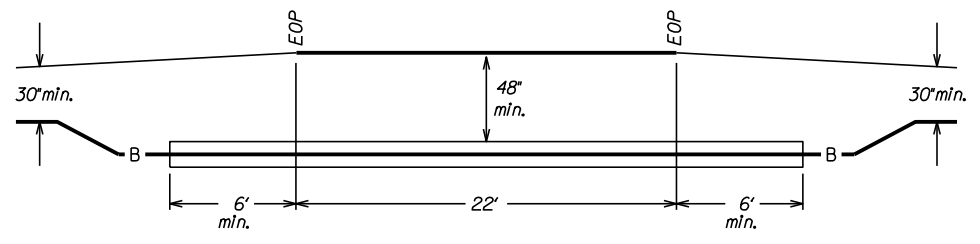
**CAUTION**

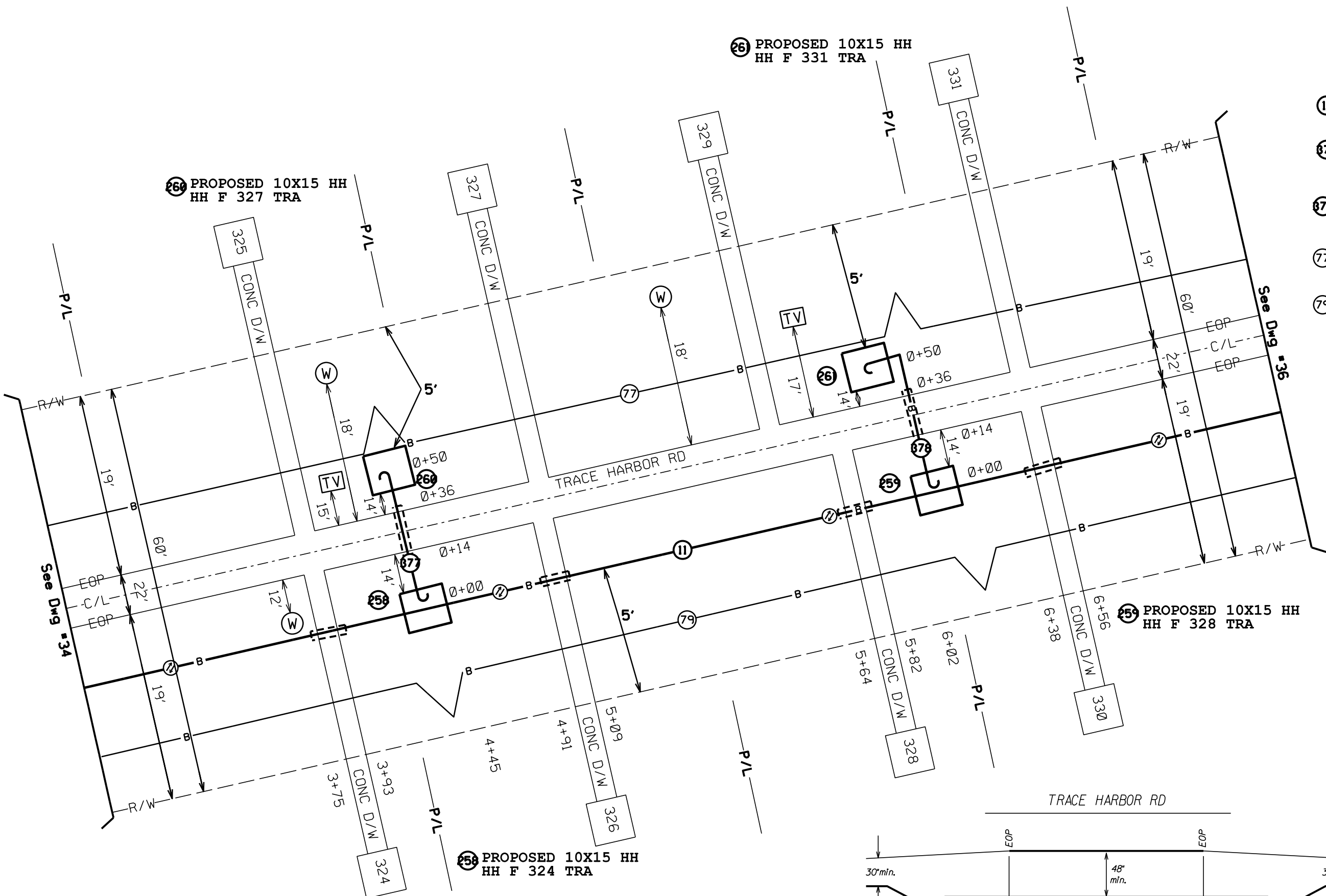
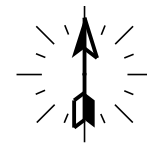
Volts to Ground  
**301V to 15KV**

**ATTSE**

PROPOSED TELEPHONE FACILITIES  
ON RIGHT OF WAY OF  
MADISON COUNTY

Exchange:	601856
Designer:	Darrin Phillips
Phone:	318-233-0497
Authorization:	24J00009N
Dwg. <u>34</u> of <u>36</u>	





- 11 PROPOSED BURIED FIBER 947'
- 177 PROPOSED CONDUIT 50'
- 178 PROPOSED CONDUIT 50'
- 77 EXISTING BURIED CABLE
- 79 EXISTING BURIED CABLE

**BURIED POWER**

**CAUTION**

Volts to Ground  
**301V to 15KV**

**ATTSE**

PROPOSED TELEPHONE FACILITIES  
ON RIGHT OF WAY OF  
MADISON COUNTY

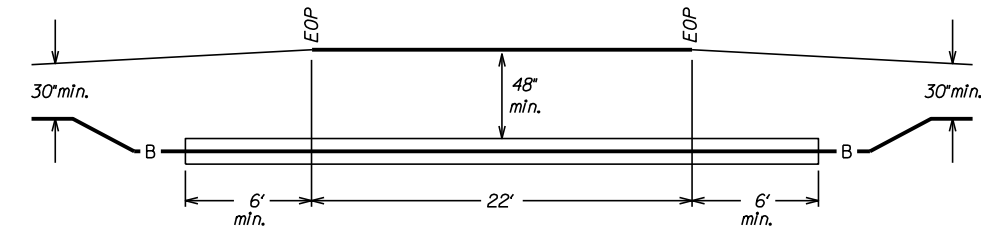
Exchange: 601856

Designer: Darrin Phillips

Phone: 318-233-0497

Authorization: 24J00009N

Dwg. 35 of 36



260 PROPOSED 10X15 HH  
HH F 327 TRA

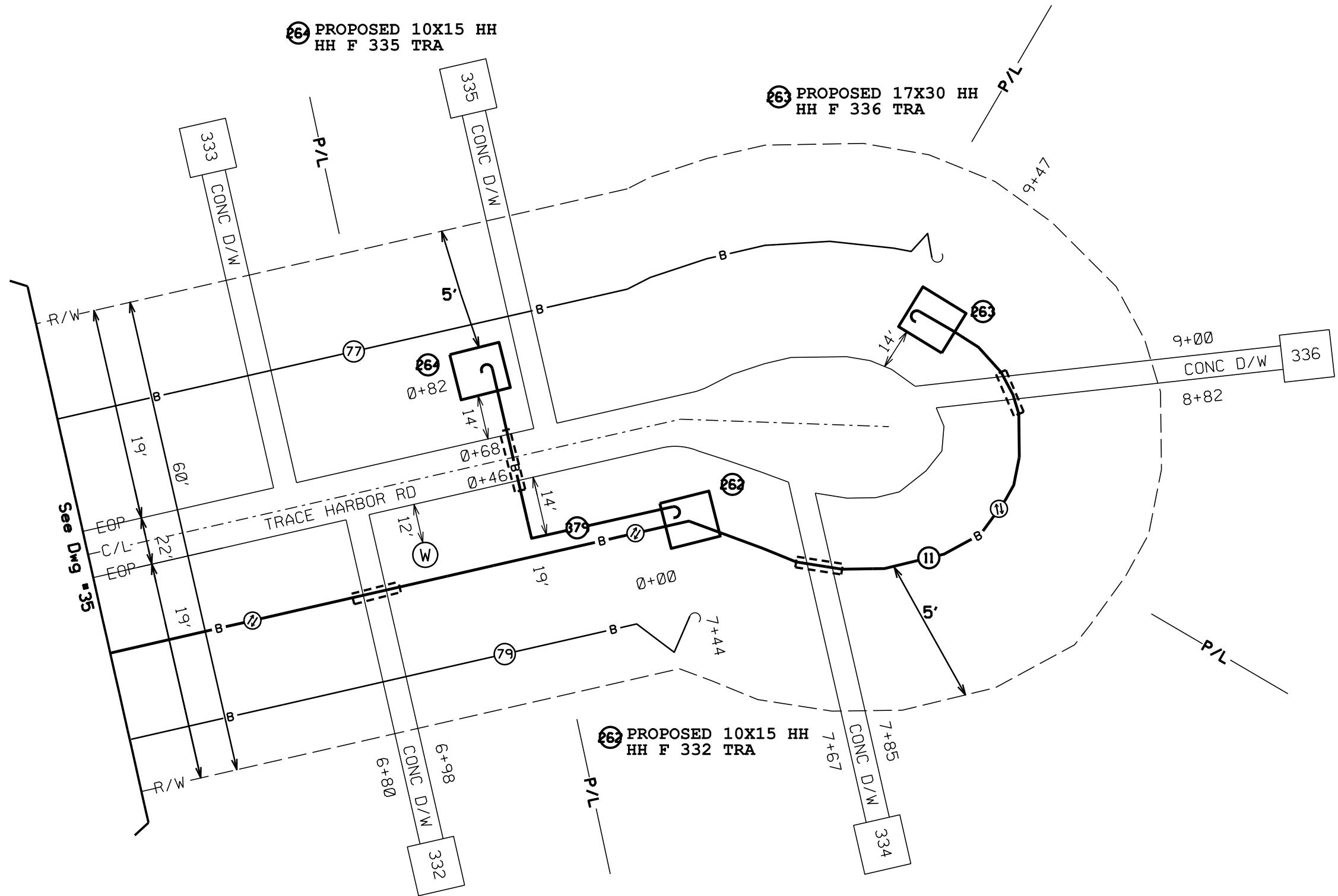
26 PROPOSED 10X15 HH  
HH F 331 TRA

255 PROPOSED 10X15 HH  
HH F 328 TRA

25 PROPOSED 10X15 HH  
HH F 324 TRA

See Dwg #34

See Dwg #36



- 11 PROPOSED BURIED FIBER  
947'
- 87 PROPOSED CONDUIT  
82'
- 77 EXISTING BURIED CABLE
- 79 EXISTING BURIED CABLE

**BURIED POWER**  
**CAUTION**  
Volts to Ground  
301V to 15KV

**ATTSE**  
PROPOSED TELEPHONE FACILITIES  
ON RIGHT OF WAY OF  
MADISON COUNTY

Exchange: 601856  
 Designer: Darrin Phillips  
 Phone: 318-233-0497  
 Authorization: 24J00009N  
 Dwg. 36 of 36

